

TM 179 h

Article number: 1790008

## Description

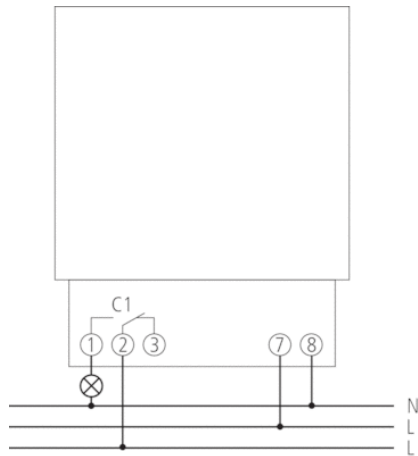


- Analogue time switch
- 60 minute program
- 1 channel
- Without power reserve
- Synchronised with mains
- Tappets
- Shortest switching time: 75 seconds
- Switching preselection
- Switching status display
- 6 tappets included in delivery

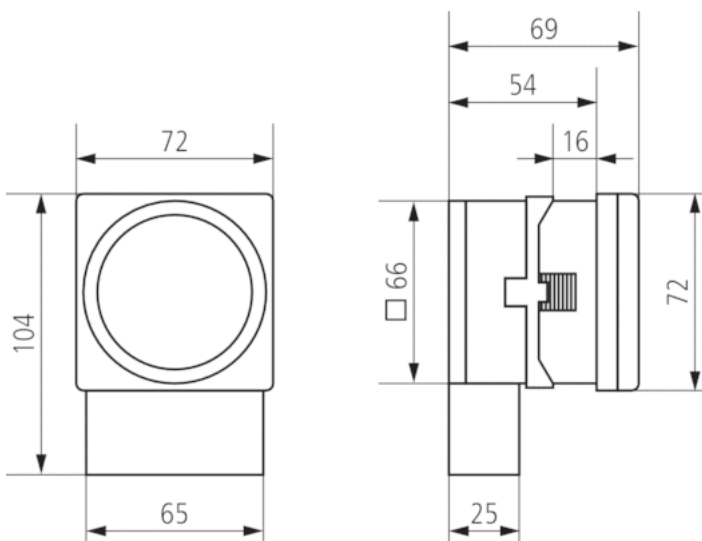
## Technical data

Operating voltage	230 V AC
Frequency	50 Hz
Number of channels	1
Installation type	Front panel installation/wall installation
Type of connection	Screw terminals
Drive	Synchronous motor
Program	60 minutes program
Switching capacity at 250 V AC, $\cos \varphi = 1$	10 A
Switching capacity at 250 V AC, $\cos \varphi = 0,6$	2 A
Shortest switching times	1,25 min
Programmable every	18,5 s
Time accuracy at 25 °C	Synchronised with mains
Type of contact	Changeover contact
Switching output	Potential-free and phase-independent
Stand-by consumption	0,9 W
Test approval	EMV
Housing and insulation material	High-temperature resistant, self-extinguishing thermoplastic
Type of protection	IP 20
Protection class	II according to EN 60 730-1
Ambient temperature	-10 °C ... +55 °C

### Connection example



### Scale drawings



### Accessories

#### Snap-on mounting 72 x 72

- Article number: 9070071  
Details ▶ [www.theben.de](http://www.theben.de)

