

## Description

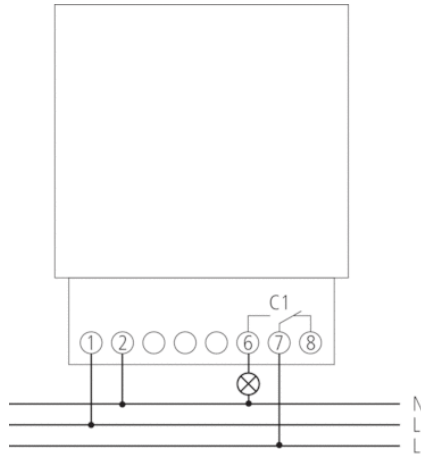


- Digital time switch with weekly program
- 1 channel
- Timer module without plug-in base
- Connection by 4.8 mm AMP flat plug for original installation standard devices
- For installation in regulation and control
- Text-based operator guidance in the display
- 56 memory locations
- Interface for OBELISK top2 memory card (PC programming)
- 10 year power reserve (lithium battery)
- ON-OFF switching times
- Switching preselection
- Permanent ON/OFF switching
- Integrated hour counter
- Holiday program
- Back lighting (can be turned off)
- PIN coding
- Automatic summer/winter time changeover

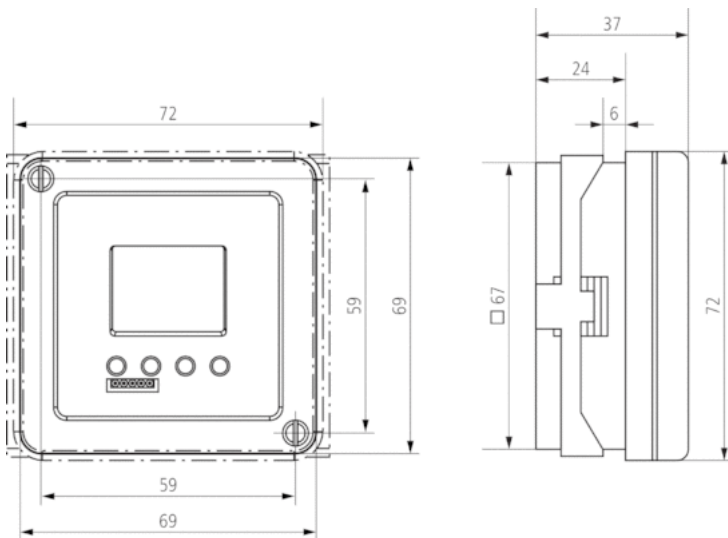
## Technical data

Operating voltage	230 – 240 V AC
Frequency	50 – 60 Hz
Installation type	Front panel installation/wall installation
Type of contact	Changeover contact
Program	Weekly program
Program functions	ON-OFF
Number of channels	1
Number of memory locations	56
Power reserve	10 years
Switching capacity at 250 V AC, $\cos \varphi = 1$	6 A
Switching capacity at 250 V AC, $\cos \varphi = 0,6$	1 A
Shortest switching times	1 min
Time accuracy at 25 °C	$\leq \pm 0.5$ s/day (quartz) at 25 °C
Time basis	Quartz
Stand-by consumption	~1 W
Keyboards	4 touch buttons
Housing and insulation material	High-temperature resistant, self-extinguishing thermoplastic
Type of protection	IP 20
Protection class	II according to EN 60 730-1
Voltage	230 V AC
Ambient temperature	-10 °C ... +55 °C

## Connection example



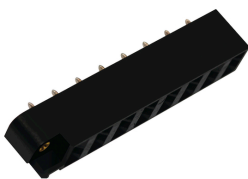
## Scale drawings



## Accessories

### Multiple contact strip

- Article number: 9075141  
Details ▶ [www.theben.de](http://www.theben.de)



### PC set OBELISK top2/3

- Article number: 9070409  
Details ▶ [www.theben.de](http://www.theben.de)



### Memory card OBELISK top2

- Article number: 9070404  
Details ▶ [www.theben.de](http://www.theben.de)

