



FEATURES

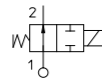
- ▶ Response time reduced
- ▶ Reliable for heavy applications
- ▶ In line connection
- ▶ Suitable for compressors applications

TECHNICAL SPECIFICATION

- ▶ **Body material:** Brass UNI EN 12164 CW614N
- ▶ **Armature tube:** Stainless steel AISI 300 series
- ▶ **Plungers:** Stainless Steel AISI 400 series
- ▶ **Spring:** Stainless Steel AISI 300 series
- ▶ **Media:** mineral oils, gasoline, diesel, fuel oils, water, air, inert gases
- ▶ **Ambient temperature:** See coils catalogue page for its compatibility
- ▶ **Fluid temperature:** -10°C +90°C with NBR seals
-10°C +140°C with FKM seals
- ▶ **Design pressure PS:** 25 bar for S.V. 21M
- ▶ **Design pressure PS:** 40 bar for S.V. 4144
- ▶ **Protection class:** IP65 (complete with electric plug)
- ▶ **Electrical conformity:** IEC 335

AVAILABLE ON REQUEST

- ▶ Explosion proof coil Ex nA (see Atex section)

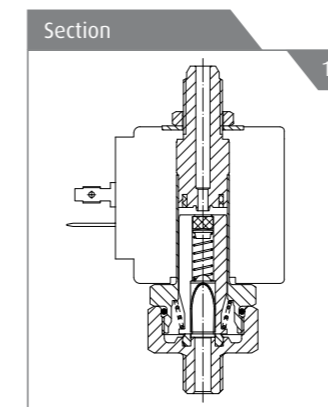


21M	0	A	V	25	
Model valve	0= G 1/8	A= N.O.	V= FKM	15 17 25	Orefice 10'1mm

B	D	A	08	024	A	S
B= 30mm Ø 13	D EN 175301-803	A= Class F	08= 8W	024= 24V	C= DC	S= Without Approval
		V= Class H		112= 110V	A= AC	Y= UL, CSA, VDE
				230= 230V	D= AC	
L	B	A	05	024	A	S
L= 22mm Ø 10	B EN 175301-803	A= Class F	05= 5W	024= 24V	A= DC	S= Without Approval

PIPE	Ø (mm)	Kv (l/min)	MAX VISCOSITY cSt (°E)	PRESSURE min	PRESSURE MAX MOPD (bar)				GAS CODE	NPT CODE	DRAWING REFERENCE
					COIL TYPE						
					AC		DC				
B	L	B	L								
G 1/8	2,5	3,5	53(7)	0	18	-	-	-	21M0AV25(*)		1
	2,5	3,5	53(7)	4	-	-	18	-	21M0AV25(*)		1
	2,5	3,5	53(7)	0	18	-	-	-	212M0AV25(*)		1
	2,5	3,5	53(7)	4	-	-	18	-	212M0AV25(*)		1
	2,5	3,5	53(7)	0	8	-	-	-	21M0AV25(**)		1
	2,5	3,5	53(7)	4	-	-	8	-	21M0AV25(**)		1
	2,5	3,5	53(7)	0	8	-	-	-	212M0AV25(**)		1
	2,5	3,5	53(7)	4	-	-	8	-	212M0AV25(**)		1
	2,5	1	12(2)	0	-	15	-	-	4144XPV17		2
2,5	0	12(2)	0,8	-	12	-	12	4144W0V15		2	

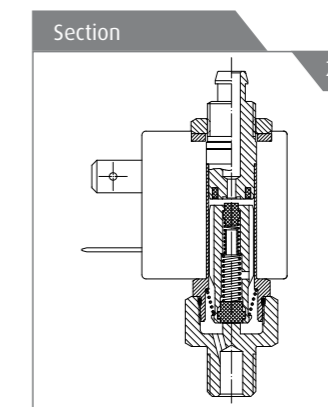
(*) for Gas/Air
(**) for Liquids



REPAIR KIT

RELATED ITEMS

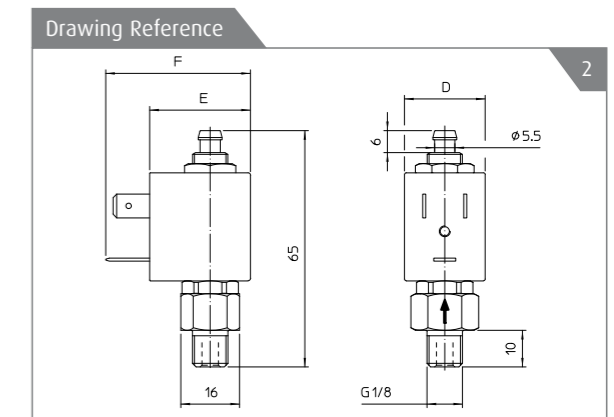
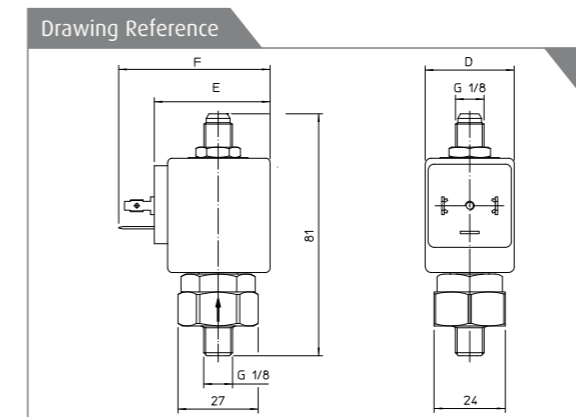
- ▶ P990305: Electrical plug EN 175301-803 Pg9
- ▶ P990306: Electrical plug EN 175301-803 Pg11
- ▶ P992126: Electrical plug EN 175301-803 Pg9 (with OR screw)
- ▶ P992127: Electrical plug EN 175301-803 Pg11 (with OR screw)
- ▶ P992128: Electrical plug EN 175301-803 cable 2 wires, 53cm
- ▶ R452714: Antihumidity kit (up to IP67 protection together with plugs P992126, P992127; P992128 & H coil class)
- ▶ P992087: Timer for automatic switch



COIL P/N
KT100XPV25-IJ

INSTALLATION

- ▶ The solenoid valves can be mounted in any position
- ▶ Holes and threaded connections for panel fixing
- ▶ Other port connections available on request
- ▶ Maintenance and instruction sheet available in each solenoid valve box
- ▶ Availability of repair kit and coils as spares



Dimensionale Table

Figure	Coil Type	D mm	E mm	F mm
1	B	30	42	54
2	L	22	27,5	39,5

