



FEATURES

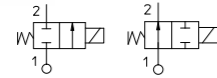
- ▶ Small poppet valve for tight shut off
- ▶ Mountable in any position
- ▶ AISI 316 for aggressive fluids

TECHNICAL SPECIFICATION

- ▶ **Body material:** Stainless steel AISI 316 series
- ▶ **Armature tube:** Stainless steel AISI 300 series
- ▶ **Plungers:** Stainless Steel AISI 400 series
- ▶ **Spring:** Stainless Steel AISI 300 series
- ▶ **Media:** demineralized water, steam, syrups, chemical products compatible with stainless steel
- ▶ **Ambient temperature:** See coils catalogue page for its compatibility
- ▶ **Fluid temperature:** -10°C +140°C with FKM seals  
-40°C +180°C with PTFE seals
- ▶ **Design pressure PS:** 40 bar
- ▶ **Protection class:** IP65 (complete with electric plug)
- ▶ **Electrical conformity:** IEC 335
- ▶ **Switching time:** 20 - 40 msec (depending on pressure conditions)

AVAILABLE ON REQUEST

- ▶ Lateral regulation
- ▶ Explosion proof coil Ex nA (see Atex section)



21L	1	K1	V	25	
Model valve	1= G 1/8 2= G 1/4	K1= N.C. Z= N.O.	V= FKM T= PTFE	25 30 40 55	Orefice 10 mm

L	B	A	05	024	A	S
B= 30mm Ø 13	D EN 175301-803	A= Class F	08= 8W	024= 24V	C= DC	S= Without Approval
U= 36mm Ø 13		V= Class H	12= 12W	112= 110V-120V	A= AC	Y= UL, CSA, VDE
G= 52mm Ø 13			14= 14W	230= 230V-240V	D= AC	

PIPE	Ø (mm)	Kv (l/min)	MAX VISCOSITY cSt (°E)	PRESSURE min	PRESSURE MAX MOPD (bar)						GAS CODE	NPT CODE	DRAWING REFERENCE
					COIL TYPE								
					AC			DC					
					B	U	G	B	U	G			

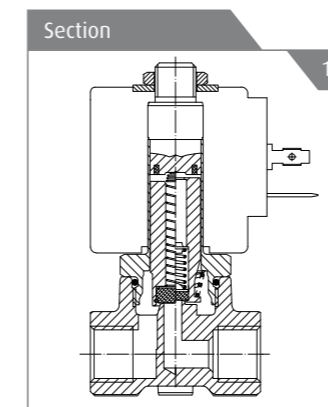
Normally Closed

G 1/8	2,5	3,2	53(7)	0	14	30	30	9	25	25	21L1K1T25	Part numbering example add "N" at the 4th digit 21LN1K1T25	1
	3	4	53(7)	0	10	25	25	6	17	20	21L1K1T30		1
	4	5	53(7)	0	6	15	15	1,7	6	8	21L1K1T40		1
	2,5	3,2	53(7)	0	14	30	30	9	25	25	21L1K1T25		1
	3	4	53(7)	0	10	25	25	6	17	20	21L1K1T30		1
G 1/4	4	5	53(7)	0	6	15	15	1,7	6	8	21L1K1T40	1	
	2,5	3,2	53(7)	0	14	30	30	9	25	25	21L2K1T25	2	
	3	4	53(7)	0	10	25	25	6	17	20	21L2K1T30	2	
	4	5	53(7)	0	6	15	15	1,7	6	8	21L2K1T40	2	
	5,5	9	53(7)	0	3,5	7	10	1	2,5	5	21L2K1T55	2	

Normally Open

G 1/8	2,5	3,2	53(7)	0	14	-	-	14	-	-	21L1ZV25(*)	(On request)	2
	3	4	53(7)	0	10	-	-	10	-	-	21L1ZV30(*)		2
G 1/4	5,5	9	53(7)	0	2,5	3,5	3,5	2,5	3,5	3,5	21L2ZV55(*)		2

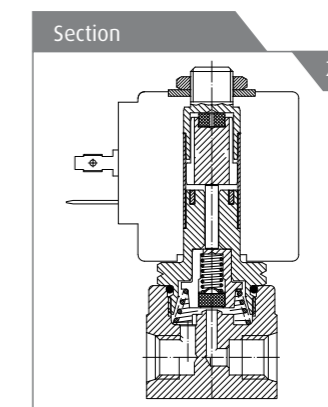
(\*) D for B coil; G for U/G coil



**REPAIR KIT**  
Normally Closed  
Orifice <=3mm: KT130KT30-H  
KT130KV30-H  
Orifice >=3mm: KT130KT55-H  
KT130KV55-H

RELATED ITEMS

- ▶ P990305: Electrical plug EN 175301-803 Pg9
- ▶ P990306: Electrical plug EN 175301-803 Pg11
- ▶ P992126: Electrical plug EN 175301-803 Pg9 (with OR screw)
- ▶ P992127: Electrical plug EN 175301-803 Pg11 (with OR screw)
- ▶ P992128: Electrical plug EN 175301-803 cable 2 wires, 53cm
- ▶ R452714: Antihumidity kit (up to IP67 protection together with plugs P992126, P992127; P992128 & H coil class)
- ▶ P992087: Timer for automatic switch

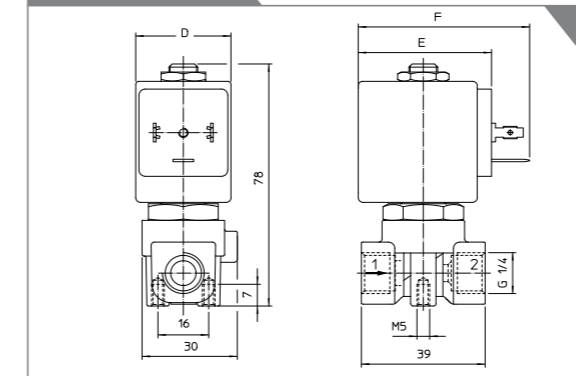


**REPAIR KIT**  
Normally Open  
KT130Z30-F  
Coil B type (8W)  
KT130ZV55-F  
Coil U type (12W)  
Coil G type (14W)  
KT130ZV55-G

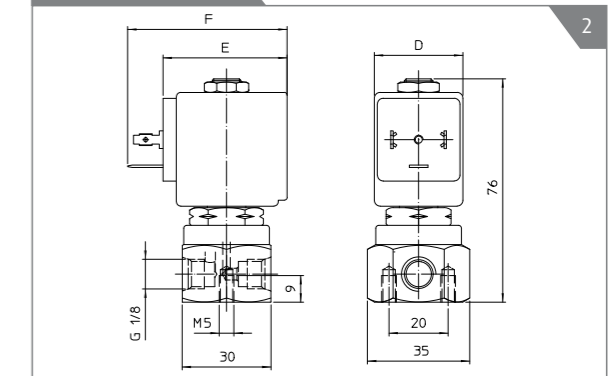
INSTALLATION

- ▶ The solenoid valves can be mounted in any position
- ▶ Holes and threaded connections for panel fixing
- ▶ Other port connections available on request
- ▶ Maintenance and instruction sheet available in each solenoid valve box
- ▶ Availability of repair kit and coils as spares

Drawing Reference



Drawing Reference



Dimensionale Table

Figure	Coil Type	D mm	E mm	F mm
1-2-3	B	30	42	54
	U	36	48	60
	G	52	55	67

