



**FEATURES**

- ▶ Dedicate to control steam application
- ▶ Piston design
- ▶ High life time

**TECHNICAL SPECIFICATION**

- ▶ **Body material:** Brass UNI EN 12165 CW617N
- ▶ **Armature tube:** Stainless Steel AISI 300 series
- ▶ **Plungers:** Stainless Steel AISI 400 series
- ▶ **Spring:** Stainless Steel AISI 300 series
- ▶ **Media:** steam, hot water
- ▶ **Ambient temperature:** See coils catalogue page for its compatibility
- ▶ **Fluid temperature:** -40°C +180°C with PTFE seals
- ▶ **Design pressure PS:** 25 bar
- ▶ **Protection class:** IP 67  
(with coil fitted by connector dedicated)
- ▶ **Electrical conformity:** IEC 335
- ▶ **Switching time:** 20-40 msec

**AVAILABLE ON REQUEST**

- ▶ NPT threads



21YW	4	K0	T	15	B	D	V	08	024	C	S
Model valve	4= G 1/2 1/2 NPT	K0= N.C.	T= PTFE	130 190 250 Orefice 10 <sup>-1</sup> mm	B= 30mm Ø 13	D EN 175301-803	F= Class H	08= 8W	024= 24V	C= DC	S= Without Approval
	5= G 3/4 3/4 NPT	Z0= N.O.					V= Class H		110= 110V-120V	A= AC	Y= UL, CSA, VDE
	6= G 1 1 NPT								230= 230V-240V	D= AC	

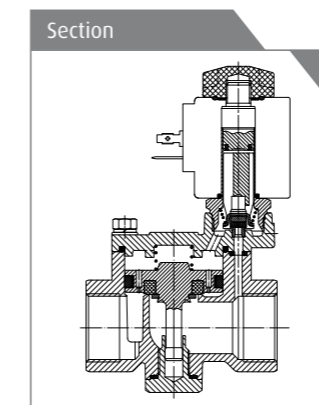
PIPE	Ø (mm)	Kv (l/min)	MAX VISCOSITY cSt (°E)	PRESSURE min	PRESSURE MAX MOPD (bar)				GAS CODE	NPT CODE	FLOW CURVE
					COIL TYPE						
					AC		DC				
					B		B				

**Normally Closed**

G 1/2	13	50	-	0,9	10		10			21YW4K0T130	1
1/2 NPT	13	50	-	0,9	10		10			21YN4K0T130-YW	1
G 3/4	19	90	-	0,9	10		10			21YW5K0T190	1
3/4 NPT	19	90	-	0,9	10		10			21YN5K0T190-YW	1
G 1	25	160	-	0,9	10		10			21YW6K0T250	1
1 NPT	25	160	-	0,9	10		10			21YN6K0T250-YW	1

**Normally Open**

G 1/2	13	50	-	0,9	10		10			21YW4Z0T130	2
1/2 NPT	13	50	-	0,9	10		10			21YN4Z0T130-YW	2
G 3/4	19	90	-	0,9	10		10			21YW5Z0T190	2
3/4 NPT	19	90	-	0,9	10		10			21YN5Z0T190-YW	2
G 1	25	160	-	0,9	10		10			21YW6Z0T250	2
1 NPT	25	160	-	0,9	10		10			21YN6Z0T250-YW	2

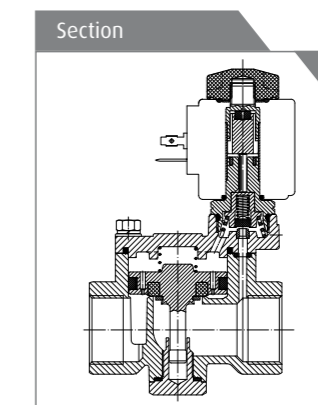


**REPAIR KIT**  
Normally Closed  
KT130KT30-AGP

G 1/2 - 1/2 NPT  
KTPYW4K0T13  
G 3/4 - 3/4 NPT  
KTPYW5K0T19  
G 1 - 1 NPT  
KTPYW6K0T25

**RELATED ITEMS**

- ▶ R452714: Antihumidity kit (up to IP67 protection together with plugs P992126, P992127; P992128 & H coils class)
- ▶ P992087: Timer for automatic switch

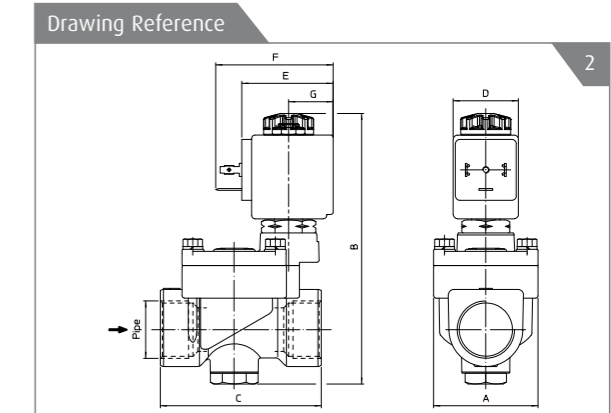
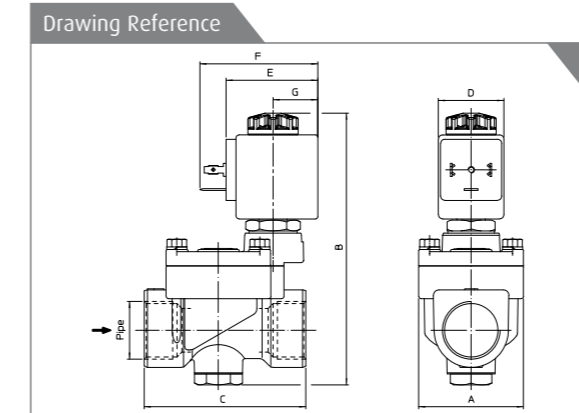


**REPAIR KIT**  
Normally Open  
KT130ZT30-TG

G 1/2 - 1/2 NPT  
KTPYW4Z0T13  
G 3/4 - 3/4 NPT  
KTPYW5Z0T19  
G 1 - 1 NPT  
KTPYW6Z0T25

**INSTALLATION**

- ▶ The solenoid valves can be mounted in any position
- ▶ Holes and threaded connections for panel fixing
- ▶ Other port connections available on request
- ▶ Maintenance and instruction sheet available in each solenoid valve box
- ▶ Availability of repair kit and coils as spares



**Dimensional Table**

Figure	Pipe	Coil Type	A mm	B mm	C mm	D mm	E mm	F mm	G mm
1-2	G 1/2 1/2 NPT	B	40	114	65	30	42	54	20,5
	G 3/4 3/4 NPT	B	48	127	74	30	42	54	20,5
	G 1 1 NPT	B	62	137	93	30	42	54	20,5

