



**FEATURES**

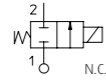
- ▶ Compact design
- ▶ Low power consumption
- ▶ NSF approved version

**TECHNICAL SPECIFICATION**

- ▶ **Body material:** Brass
- ▶ **Armature tube:** Stainless steel AISI 300 series
- ▶ **Plungers:** Stainless Steel AISI 400 series
- ▶ **Spring:** Stainless Steel AISI 300 series
- ▶ **Media:** mineral oils, gasoline, diesel, fuel oils, water, air, inert fluids, inert gases
- ▶ **Ambient temperature:** See coils catalogue page for its compatibility
- ▶ **Fluid temperature:** -10°C +140°C with FKM seals  
-10°C +90°C with NBR seals
- ▶ **Design pressure PS:** 40 bar
- ▶ **Protection class:** IP65 (complete with electric plug)
- ▶ **Electrical conformity:** IEC 335
- ▶ **Switching time:** 20 msec A (Depending on pressure conditions)

**AVAILABLE ON REQUEST**

- ▶ Nickel plated version
- ▶ Explosion proof coil Ex nA (see Atex section)

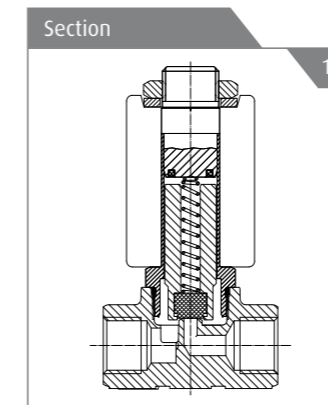


21J	N1	R0	V	12	
Model valve	N1= G 1/8	R0= N.C.	V= FKM	15 20 25	Orefice 10'1mm
	BM= M5X0,5		B= NBR		

L	B	A	05	024	C	S
L 22 mm 2,5W - 5W -4W	B EN 175301-803	A= Class F	05= 5W	024= 24V	C= DC	S= Without Approval
		V= Class H	04= 4W	110= 110V-120V	A= AC	
				220= 220V	B= AC	U= UL
				230= 230V	A= AC	V= VDE

PIPE	Ø (mm)	Kv (l/min)	MAX VISCOSITY cSt (°E)	PRESSURE min	PRESSURE MAX MOPD (bar)				GAS CODE	NPT CODE	DRAWING REFERENCE
					COIL TYPE						
					AC		DC				
2,5W	5W	2,5W	5W								
M5	2	2	37(5)	0	-	22	-	10	21JBMROB20	Part numbering example add "-JN" after code 21JN1ROV20-JN	2
G 1/8	1,2	1	12(2)		20	25	3,5	12	21JN1ROV12		1
	1,2	1	12(2)		20	25	3,5	12	21JN1R1V12-T3(*)		1
	1,5	1,1	12(2)		-	25	-	10	21JN1ROV15		1
	2	2	37(5)		-	22	-	10	21JN1ROV20		1
	2,3	2,3	37(5)		6	18	-	8	21JN1ROV23		1
	2,3	2,3	37(5)		6	18	-	8	21JN1R1V23-T3(*)		1

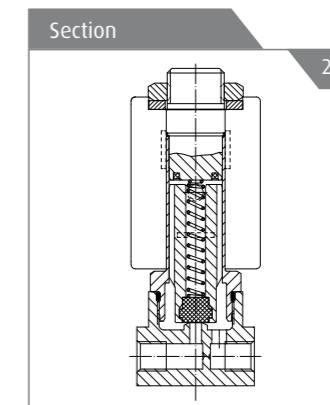
(\*) NSF Certified



1 REPAIR KIT KT100ROV25-FJ

**RELATED ITEMS**

- ▶ P990307: Electrical plug EN 175301-803 Pg11



2 REPAIR KIT KT100ROB25-FJ

**INSTALLATION**

- ▶ The solenoid valves can be mounted in any position
- ▶ Instruction sheet available in each solenoid valve box
- ▶ Fixing holes

