



FEATURES

- ▶ High flow rates
- ▶ Long life version
- ▶ Wide range of applications valves for liquids and gases
- ▶ Wide elastomers range
- ▶ Mountable in any position

TECHNICAL SPECIFICATION

- ▶ **Body material:** Brass UNI EN 12165 CW617N
- ▶ **Armature tube:** Stainless Steel AISI 300 series
- ▶ **Plungers:** Stainless Steel AISI 400 series
- ▶ **Spring:** Stainless Steel AISI 300 serie
- ▶ **Media:** air, water, inert gas, low pressure steam mineral oils, gasoline, diesel, R 134a, R 404a
- ▶ **Ambient temperature:** See coils catalogue page for its compatibility
- ▶ **Fluid temperature:** -10°C +140°C with FKM, EPDM seals
-10°C +90°C with NBR seals
- ▶ **Design pressure PS:** G 3/8 - G 1/2 20 bar
3/8 NPT - 1 NPT 25 bar
G 3/4 - G 1 25 bar
G 1 1/4 - 1 1/4 NPT - G 2 - 2 NPT 16 bar
- ▶ **Protection class:** IP 65 (complete with electric plug)
- ▶ **Electrical conformity:** IEC 335

AVAILABLE ON REQUEST

- ▶ Manual override (i.e. 21WA3K0B130-M)
- ▶ Manual override+closing speed control (i.e. 21WA3K0B130-MR)
- ▶ Progressive closing (i.e. 21WA3K0B130-PC)
- ▶ Spring on diaphragm (i.e. 21WA4R0B130-MM)
- ▶ Latching coils (see coil section)
- ▶ Explosion proof coil Ex nA (see Atex section)



(Pressure Equipment Directive 97/23/CE) for S.V. 21W5+21W7 - 21WN7+21WN9

21W	3	K	B	190	
Model valve	3= G 3/8 - 3/8 NPT	K= N.C.	V= FKM		Orefice 10 ⁻¹ mm
	4= G 1/2 - 1/2 NPT	Z= N.O.	B= NBR		
	5= G 3/4 - 3/4 NPT		E= EPDM	130	
	6= G 1 - 1 NPT			190	
	7= G 1 1/4 - 1 1/4 NPT			250	
	8= G 1 1/2 - 1 1/2 NPT			350	
	9= G 2 - 2 NPT			400	
				500	

B	D	A	08	024	A	S
B= 30mm Ø 13	D EN 175301-803	A= Class F V= Class H	08= 8W	024= 24V 110= 110V 223= 220V-230V	A= AC C= DC	S= Without Approval Y= UL, CSA, VDE
L	B	A	05	024	A	S
L= 22mm Ø 10	B EN 175301-803	A= Class F	05= 5W	024= 24V 100= 100V 220= 220V	A= AC D= AC B= AC	S= Without Approval U= UL

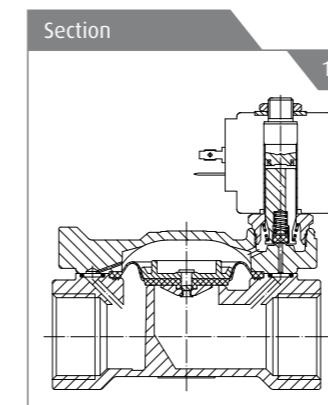
PIPE	Ø (mm)	Kv (l/min)	MAX VISCOSITY cSt (°E)	PRESSURE min	PRESSURE MAX MOPD (bar)						GAS CODE	NPT CODE	FLOW CURVE
					COIL TYPE								
					AC			DC					
B	U	G	B	U	G								

Normally Closed

3/8	13	60	12(2)	0,2	16	-	-	16	-	-	21WA3K0B130	21WN3K0B130	1
3/8	13	60	12(2)	0,2	-	12	-	-	12	-	21WA3R0B130	21WN3R0B130	2
1/2	13	70	12(2)	0,2	16	-	-	16	-	-	21WA4K0B130	21WN4K0B130	1
1/2	13	70	12(2)	0,2	-	12	-	-	12	-	21WA4R0B130	21WN4R0B130	2
3/4	19	140	12(2)	0,2	16	-	-	16	-	-	21W3KB190	21WN5KB190	1
1	25	190	12(2)	0,2	16	-	-	16	-	-	21W4KB250	21WN6KB250	1
1 1/4	35	400	12(2)	0,2	10	-	-	10	-	-	21W5KB250	21WN7KB350	1
1 1/2	40	520	12(2)	0,2	10	-	-	10	-	-	21W6KB400	21WN8KB400	1
2	50	750	12(2)	0,2	10	-	-	10	-	-	21W7KB500	21WN9KB500	1

Normally Open

3/8	13	60	12(2)	0,2	16	-	-	16	-	-	21WA3K0B130	21WN3Z0B130	1
3/8	13	60	12(2)	0,2	16	12	-	-	12	-		21WN3ZIB130	1
1/2	13	70	12(2)	0,2	16	-	-	16	-	-	21WA4Z0B130	21WN4Z0V130	1
1/2	13	70	12(2)	0,2	16	12	-	-	12	-	21WA4Z0B130	21WN4Z0V130	1
3/4	19	140	12(2)	0,2	16	-	-	16	-	-	21W3ZB190		1
1	25	190	12(2)	0,2	16	-	-	16	-	-	21W4ZB250		1
1 1/4	35	400	12(2)	0,2	10	-	-	10	-	-	21W5ZB250		1
1 1/2	40	520	12(2)	0,2	10	-	-	10	-	-	21W6ZB400		1
2	50	750	12(2)	0,2	10	-	-	10	-	-	21W7ZB500		1

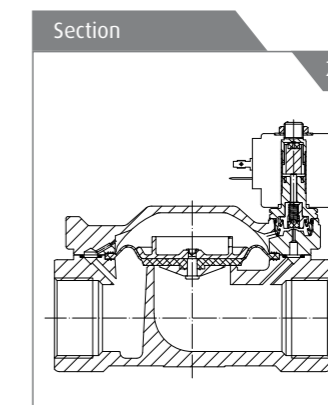


REPAIR KIT
Normally Closed - Kit 13 mm
G3/8-3/8 NPT + G 1/2-1/2 NPT
KTGWA3K0B13
G3/4-3/4 NPT + G 1-1 NPT
KTGOW3KB19
G1 1/4-1 1/4 NPT + G 1 1/2-1 1/2 NPT
KTGOW5KB35
G 2-2 NPT
KTGOW7KB50

Normally Closed - Kit 10 mm
KTGWA3R0B13

RELATED ITEMS

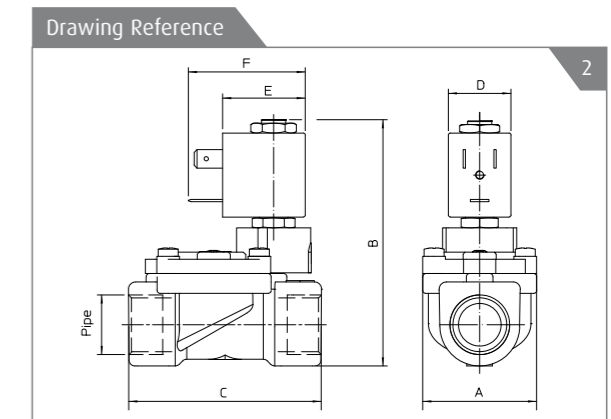
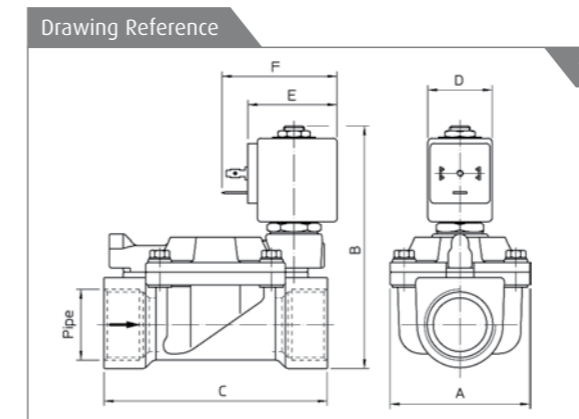
- ▶ P990305: Electrical plug EN 175301-803 Pg9
- ▶ P990306: Electrical plug EN 175301-803 Pg11
- ▶ P992126: Electrical plug EN 175301-803 Pg9 (with OR screw)
- ▶ P992127: Electrical plug EN 175301-803 Pg11 (with OR screw)
- ▶ P992128: Electrical plug EN 175301-803 cable 2 wires, 53cm
- ▶ P992087: Timer for automatic switch



REPAIR KIT
Normally Open - Kit 13 mm
G3/8-3/8 NPT + G 1/2-1/2 NPT
KTGWA3K0B13
G3/4-3/4 NPT + G 1-1 NPT
KTGOW3KB19
G1 1/4-1 1/4 NPT + G 1 1/2-1 1/2 NPT
KTGOW5KB35
G 2-2 NPT
KTGOW7KB50

INSTALLATION

- ▶ The solenoid valves can be mounted in any position
- ▶ Holes and threaded connections for panel fixing
- ▶ Other port connections available on request
- ▶ Maintenance and instruction sheet available in each solenoid valve box
- ▶ Availability of repair kit and coils as spares
- ▶ Attention: for fuse selection please refer to the "Instruction sheet Atex products" delivered together with the valve



Dimensionale Table

Figure	Pipe	Coil Type	A mm	B mm	C mm	D mm	E mm	F mm
1	G 3/8 - 3/8 NPT	B	40	97	60	30/47	42	54
		L		84,5		-	-	-
	G 1/2 - 1/2 NPT	B	40	97	66	-	-	-
		L			84,5		-	-
	G 3/4 - 3/4 NPT	B	65	105	104	-	-	-
	G 1 - 1 NPT	B	65	112	104	-	-	-
G 1 1/4 - 1 1/4 NPT G 1 1/2 - 1 1/2 NPT	B	98	125	144	-	-	-	
	B	118	141	172	-	-	-	

