



FEATURES

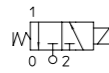
- ▶ Ideal for piloting
- ▶ High flow rate
- ▶ Quick response

TECHNICAL SPECIFICATION

- ▶ **Body material:** Stainless Steel 316 AISI series
- ▶ **Armature tube:** Stainless Steel 300 AISI series
- ▶ **Plungers:** Stainless Steel AISI 400 series
- ▶ **Spring:** Stainless Steel AISI 300 series
- ▶ **Media:** mineral oils, gasoline, diesel, fuel oils
- ▶ **Ambient temperature:** See coils catalogue page for its compatibility
- ▶ **Fluid temperature:** -10°C +140°C with FKM seals
- ▶ **Design pressure PS:** 40 bar
- ▶ **Protection class:** IP 65 (complete with electric plug)
- ▶ **Electrical conformity:** IEC 335
- ▶ **Switching time:** 20-40 msec

AVAILABLE ON REQUEST

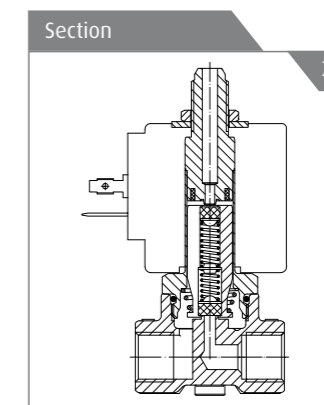
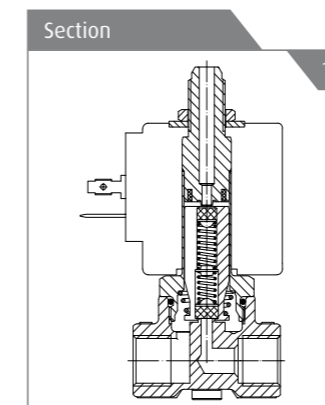
- ▶ Explosion proof coil Ex nA (see Atex section)



31L	2	A1	V	30	
Model valve	2= G 1/4	A1= N.C. F0= N.C.	V= FKM	15 30	Orefice 10 <sup>-1</sup> mm

B	D	A	08	024	A	S
B= 30mm Ø 13	D EN 175301-803	A= Class F	08= 8W	024= 24V 110= 110V-120V 223= 220V-230V	C= DC	S= Without Approval

PIPE	Ø (mm)	Kv (l/min)	MAX VISCOSITY cSt (°E)	PRESSURE min	PRESSURE MAX MOPD (bar)				GAS CODE	NPT CODE	DRAWING REFERENCE
					COIL TYPE						
					AC		DC				
<b>Normally Closed</b> (*) 3rd way exhaust= Ø 2,5 mm											
G 1/4	3(*)	4	53(7)	0	5		5			31L2A1V30	1
<b>Normally Closed</b> (*) 3rd way exhaust= Ø 1,5 mm											
G 1/4	15(*)	1,4	12(2)	0	10		10			31L2F0V15-U	2

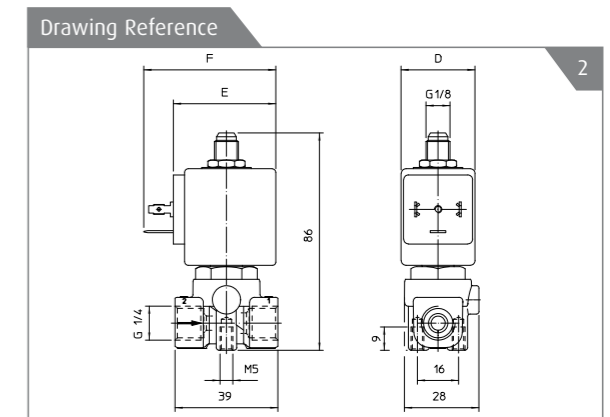
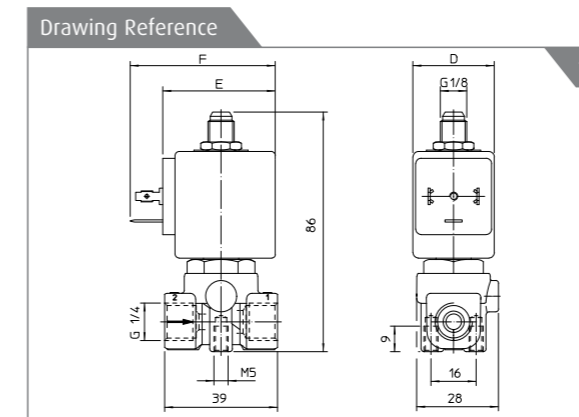


RELATED ITEMS

- ▶ P990305: Electrical plug EN 175301-803 Pg9
- ▶ P990306: Electrical plug EN 175301-803 Pg11
- ▶ P992126: Electrical plug EN 175301-803 Pg9 (with OR screw)
- ▶ P992127: Electrical plug EN 175301-803 Pg11 (with OR screw)
- ▶ P992128: Electrical plug EN 175301-803 cable 2 wires, 53cm
- ▶ R452714: Antihumidity kit (up to IP67 protection together with plugs P992126, P992127; P992128 & H coils class)
- ▶ P992087: Timer for automatic switch

INSTALLATION

- ▶ The solenoid valves can be mounted in any position
- ▶ Holes and threaded connections for panel fixing
- ▶ Other port connections available on request
- ▶ Maintenance and instruction sheet available in each solenoid valve box
- ▶ Availability of repair kit and coils as spares



Dimensionale Table

Figure	Coil Type	D mm	E mm	F mm
1-2	B	30	42	54

