

## General Purpose Solenoid Valves S1010 Series (G3/8", G1/2", G3/4", G1", G1 1/4", G1 1/2", G2")

### GENERAL FEATURES

- Wide pressure range, flow rate and orifis options.
- Solenoid valvs are used with filters.
- Solenoid valves can be mounted in any position without affecting its operation.
- Coil to be used in a vertical position.

### ELECTRICAL CHARACTERISTICS

|                          |  |
|--------------------------|--|
| Continuous Duty          | : ED %100  |
| Coil Insulation Class    | : H (180°C)(IEC 85)  |
| Coil Impregnation        | : Polyester Fiber Glass  |
| Ambient Temperature      | : -10°C, +60°C   |
| Protection Degree        | : IP65 (ISO 60529) On request;IP68   |
| Electric Plug Connection | : DIN 46340 3- Poles Connector(DIN43650)   |
| Connector Specification  | : ISO 4400 / EN 175301-803 Form A,<br>Spade Plug (Cable Ø6-8 mm)   |
| Electrical Safety        | : IEC 335  |
| Standard Voltages        | : AC 12V 15VA, 24V 15VA, 48V, 15VA, 110V 15VA,<br>230V 15VA, 230V 24VA<br>DC 12V 18W, 24V 18W, 48V,18W, 110V 18W |

On request other voltages

Voltages Tolerance : AC -15%, +10% DC -5%, +10%

Frequency : 50 Hz (60 Hz...)

On request; Connector with LED, PWM Socket

Specify coil voltage with order

### MATERIALS IN CONTACT WITH FLUID

|                           |                                |
|---------------------------|--------------------------------|
| Body                      | : Brass                        |
| Internal Parts            | : Stainless Steel, Brass       |
| Sealing                   | : NBR(On request; EPDM, VITON) |
| Shading Ring              | : Copper (EN 12735-1)          |
| Seats, Core Tube, Springs | : Stainless Steel              |

### OPTIONS

Female connection: BSP; (On request NPT)

- On request CR-Ni plated, PTFE coated done
- On request Atex (exproof) coil.

### TECHNICAL FEATURES

Max. Viscosity : 5°E (-37cST veya mm²/s)

Response Time : Opening time : 400 ms- 1600 ms  
Closing Time : 1000 ms- 2000 ms

### SEALS FEATURES

NBR : -10°C...+80°C

EPDM : -10°C...+130°C

VITON : -10°C...+160°C

PTFE : -10°C...+160°C

RUBY : -10°C...+160°C



**NORMALLY CLOSED**

**2/2 WAY**

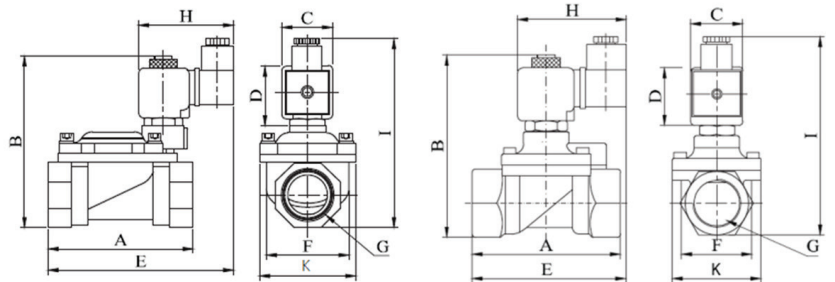
**PILOT OPERATED**

$\Delta P=0.5$

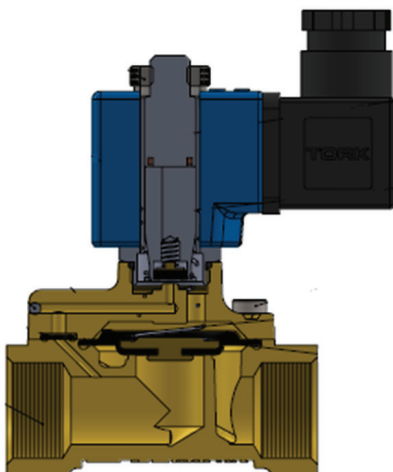


### Dimensions (mm)

| G      | A     | B     | C  | D  | E    | H  | I     | K     |
|--------|-------|-------|----|----|------|----|-------|-------|
| 3/8"   | 72    | 97.7  | 32 | 45 | 94.8 | 76 | 109   | 52.5  |
| 1/2"   | 80    | 99.2  | 32 | 45 | 96.2 | 76 | 110.5 | 52.5  |
| 3/4"   | 78    | 106   | 32 | 45 | 97.2 | 76 | 117.3 | 52.5  |
| 1"     | 85    | 112.5 | 32 | 45 | 98.7 | 76 | 123.8 | 52.5  |
| 1 1/4" | 106.5 | 124.5 | 32 | 45 | 150  | 76 | 135.8 | 72    |
| 1 1/2" | 128.5 | 137   | 32 | 45 | 165  | 76 | 148.3 | 95    |
| 2"     | 149   | 149   | 32 | 45 | 185  | 76 | 160.3 | 109.7 |



| Coils         | Nominal Values | Cold/ Hot | Inrush | Holding | Current (A) | Surface Temperature (°C) |
|---------------|----------------|-----------|--------|---------|-------------|--------------------------|
| C40012VDC18W  | 12VDC 18W      | COLD      | 19,56  | 19,56   | 1,63        | 20                       |
|               |                | HOT       | 14,52  | 14,52   | 1,21        | 106                      |
| C40024VDC18W  | 24VDC 18W      | COLD      | 20,88  | 20,88   | 0,87        | 25                       |
|               |                | HOT       | 14,64  | 14,64   | 0,61        | 116                      |
| C40110VDC18W  | 110VDC 18W     | COLD      | 19,96  | 19,96   | 0,18        | 23                       |
|               |                | HOT       | 13,56  | 13,56   | 0,123       | 115                      |
| C40012VAC15VA | 12VAC 15VA     | COLD      | 23,81  | 16,43   | 1,3         | 25                       |
|               |                | HOT       | -      | 15,86   | 1,262       | 79                       |
| C40024VAC15VA | 24VAC 15VA     | COLD      | 25,82  | 15,02   | 0,62        | 22                       |
|               |                | HOT       | -      | 13,91   | 0,57        | 81                       |
| C40110VAC15VA | 110VAC 15VA    | COLD      | 30,65  | 15,17   | 0,137       | 24                       |
|               |                | HOT       | -      | 13,96   | 0,126       | 80                       |
| C40230VAC15VA | 230VAC 15VA    | COLD      | 31,4   | 15,64   | 0,068       | 25                       |
|               |                | HOT       | -      | 14,41   | 0,063       | 80                       |
| C40230VAC15VA | 230VAC 24VA    | COLD      | 45,1   | 23,92   | 0,0154      | 23                       |
|               |                | HOT       | -      | 21,62   | 0,0154      | 100                      |



| Solenoid Valve Symbol | Valve Type/ Order No | Connection Size | Orifice Size | Pressure min/max |     | Kv    | Seal |       |      | Weight kg |
|-----------------------|----------------------|-----------------|--------------|------------------|-----|-------|------|-------|------|-----------|
|                       |                      |                 |              | Bar              | Bar |       | NBR  | Viton | EPDM |           |
|                       | S1010                | G               | mm           | Bar              | Bar | Lt/dk | NBR  | Viton | EPDM | kg        |
|                       | S1010.02.125         | 3/8"            | 12.5         | 0.5              | 16  | 48    | ✓    | ✓     | ✓    | 0,69      |
|                       | S1010.03.145         | 1/2"            | 14.5         | 0.5              | 16  | 70    | ✓    | ✓     | ✓    | 0,73      |
|                       | S1010.04.170         | 3/4"            | 17           | 0.5              | 16  | 90    | ✓    | ✓     | ✓    | 0,81      |
|                       | S1010.05.170         | 1"              | 17           | 0.5              | 16  | 90    | ✓    | ✓     | ✓    | 0,98      |
|                       | S1010.06.300         | 1 1/4"          | 30           | 0.5              | 12  | 250   | ✓    | ✓     | ✓    | 2,65      |
|                       | S1010.07.390         | 1 1/2"          | 39           | 0.5              | 12  | 370   | ✓    | ✓     | ✓    | 2,55      |
|                       | S1010.08.460         | 2"              | 46           | 0.5              | 12  | 450   | ✓    | ✓     | ✓    | 2,98      |

### STANDARDS

- Standard tube connection G (BSP) (ISO 228-1) and other tube connections (NPT (ANSI 1.20.3)) are available on request.
- TORK solenoid valves 97/23/EC, are available for pressure equipment directive (PED) and 2006/95/ECC low voltage directive (LVD).

Not: Please look catalogues for more details