

Solenoid valves on manifold



The following products are sold without coils. These can be bought separately

To use these products as 2/2 valves, for each solenoid valve it is necessary to order the aluminium nut (code 00.125.2) with M5 plug (code 36.643.0).

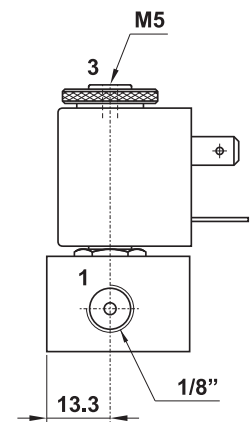
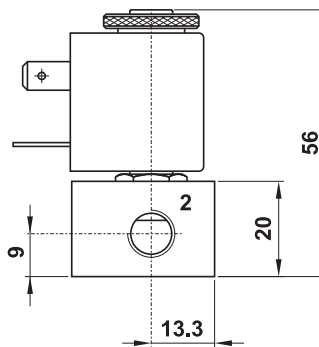
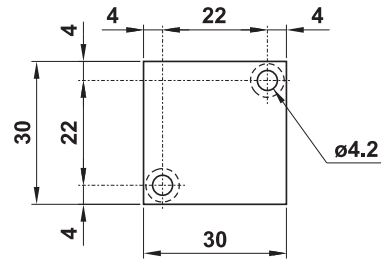
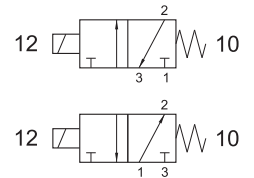
3/2 single solenoid valve with or without detented manual override

1/8" NPT

coil 22 mm

	ORDER CODES	
	N/C	N/O
without manual override	US00.071.3	US00.088.3
with manual override	US00.051.3	

Temperature range	max +60°C (140°F)
Operating pressure	-0.7 ... 10 bar (Vacuum ... 145 PSI) -0.07 ... 1 MPa
Nominal diameter	1.1 mm
Nominal flow rate 1-2	30 NI/min (0.03 Cv)
Fluid	50µ filtered, lubricated or non lubricated air



3/2 single solenoid valve with or without detented manual override

1/4" NPT

coil 22 mm

	ORDER CODES	
	N/C	N/O
without manual override	US01.068.3	US01.066.3
with manual override	US01.005.3	

Temperature range	max +60°C (140 °F)
Operating pressure	-0.7 ... 10 bar (Vacuum ... 145 PSI) 0.07 ... 1 MPa
Nominal diameter	1.1 mm
Nominal flow rate 1-2	30 NI/min (0.03 Cv)
Fluid	50µ filtered, lubricated or non lubricated air

