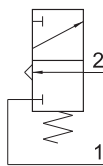


305 MB UL

3/2 NC attacchi filettati M5 (lateral),
interfaccia per attuatore da pannello

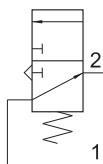
3/2 NC M5 threaded ports (on the side),
actuator adaptor for panel mounting



315 MB UL

3/2 NA attacchi filettati M5 (lateral),
interfaccia per attuatore da pannello

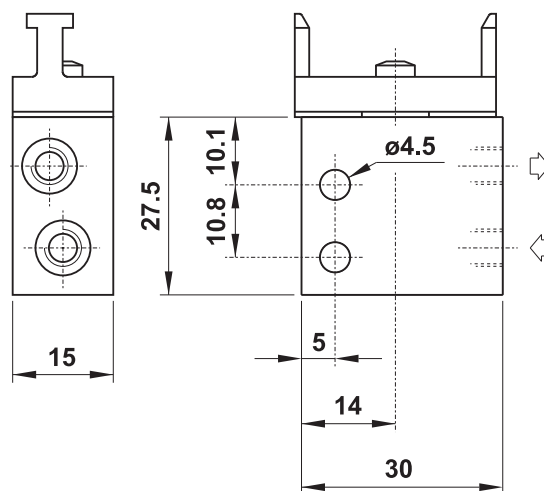
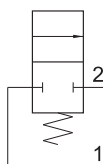
3/2 NO M5 threaded ports (on the side),
actuator adaptor for panel mounting



205 MB UL

2/2 NC attacchi filettati M5 (lateral),
interfaccia per attuatore da pannello

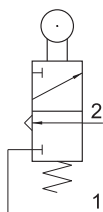
2/2 NC M5 threaded ports (on the side),
actuator adaptor for panel mounting



305 MR UL

3/2 NC attacchi filettati M5 (lateral),
leva rullo

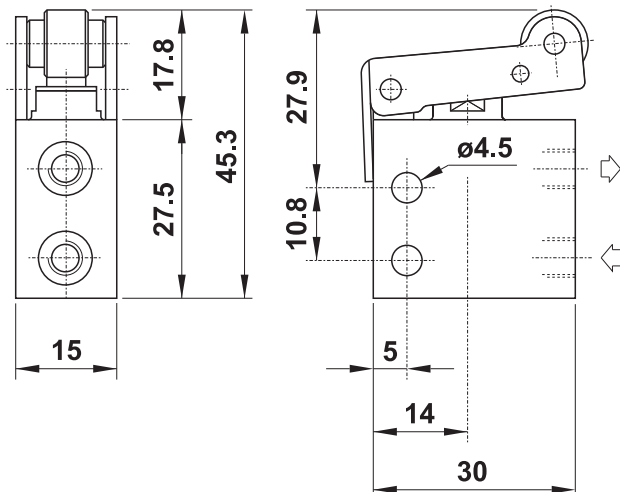
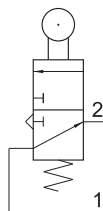
3/2 NC M5 threaded ports (on the side),
roller lever



315 MR UL

3/2 NA attacchi filettati M5 (lateral),
leva rullo

3/2 NO M5 threaded ports (on the side),
roller lever



205 MR UL

2/2 NC attacchi filettati M5 (lateral),
leva rullo

2/2 NC M5 threaded ports (on the side),
roller lever

