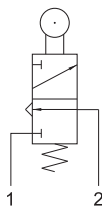




305 MR

3/2 NC attacchi filettati M5 (sotto),
leva rullo

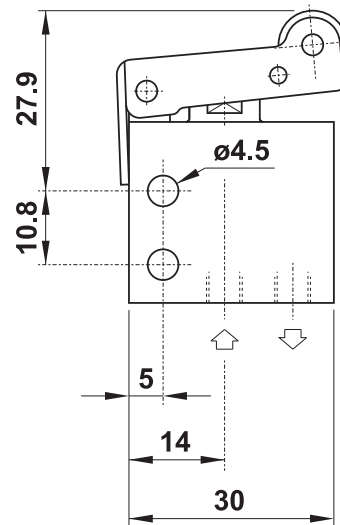
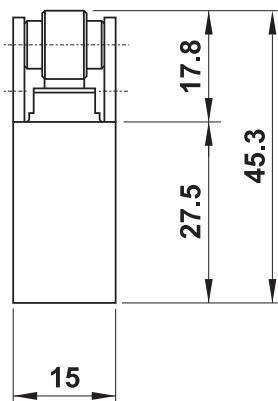
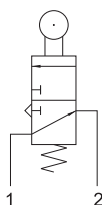
3/2 NC M5 threaded ports (on the bottom),
roller lever



315 MR

3/2 NA attacchi filettati M5 (sotto),
leva rullo

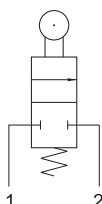
3/2 NO M5 threaded ports (on the bottom),
roller lever



205 MR

2/2 NC attacchi filettati M5 (sotto),
leva rullo

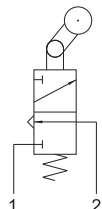
2/2 NC M5 threaded ports (on the bottom),
roller lever



305 MS

3/2 NC attacchi filettati M5 (sotto),
leva unidirezionale

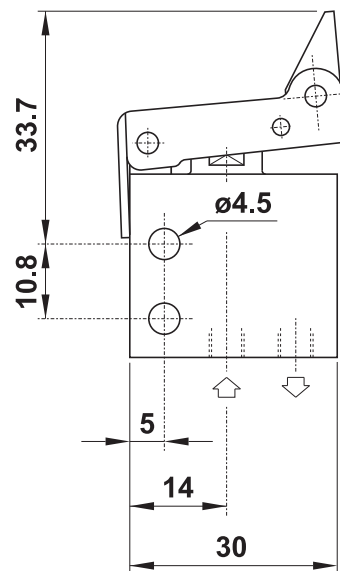
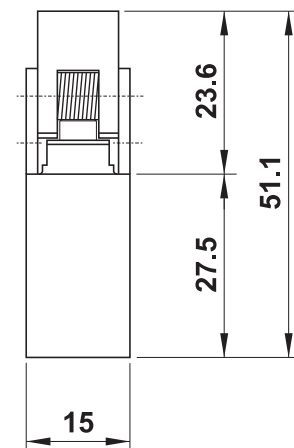
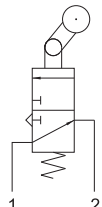
3/2 NC M5 threaded ports (on the bottom),
uni-directional lever



315 MS

3/2 NA attacchi filettati M5 (sotto),
leva unidirezionale

3/2 NO M5 threaded ports (on the bottom),
uni-directional lever



205 MS

2/2 NC attacchi filettati M5 (sotto),
leva unidirezionale

2/2 NC M5 threaded ports (on the bottom),
uni-directional lever

