

Features

- Multiview visual valve position indicator
- Dual limit switches for remote valve position confirmation
- Standard Namur VDI/VDE-3845 mounting
- Weatherproof Type 4, Nema 4X and IP67 construction
- Polyester powder coated aluminum housing
- Universal mounting bracket included

Applications

Valve monitors (limit switch boxes) are rotary position devices used for both local and remote indication of valve position. Indicators are typically mounted to the top of standard pneumatic rotary actuators via the standard Namur VDI/VDE-3845 mounting pad.

Specifications

Enclosure Rating: Weatherproof Type 4, Nema 4X and IP67

Operating Temperature: -20 to 85° C (-4 to 185° F)

Visual Indicator: Open-Closed multi-angle top and side view (yellow/red)

Limit Switches: (2) SPDT mechanical 5A 125-250 VAC, (Honeywell)

Electrical Connection: (2) 1/2" female conduit

Terminal Strip: (8) Rugged screw terminals

Mounting Bracket: Fits Namur 30x80mm and 30x130mm mounting pad

Approvals: CSA C/US, CE

Construction

Enclosure	Aluminum with polyester powder coating
Indicator Cover	Polycarbonate
Output Shaft	Stainless steel (Namur)
Fasteners (enclosure)	Stainless Steel
Seals	NBR
Adjustable Cams	Polycarbonate
Mounting Bracket/Fasteners	Polyester painted steel/plated steel



Operation

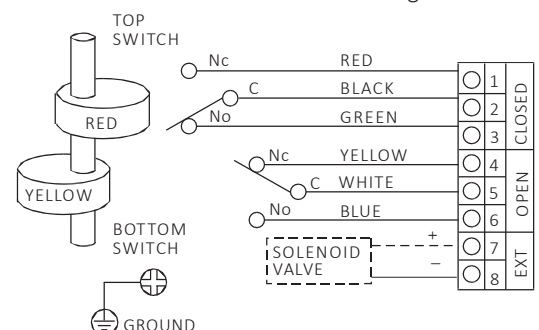
Output shaft from the air actuator rotates 90° turning the input shaft of the monitor and moving the visual indicator from closed to open (reverses to close). In addition, limit switches provide a dry contact output signal in both the open and closed position. This signal is used to remotely confirm the valve position.

Description

Convalve valve indicator is a rotary position device used to confirm the valve position when mounted to a pneumatic actuator. The visual indicator on top of the device can clearly display the valve position for local detection. Mechanical limit switches provide an electrical signal output to PLC's or other devices to confirm both the open and closed valve position.

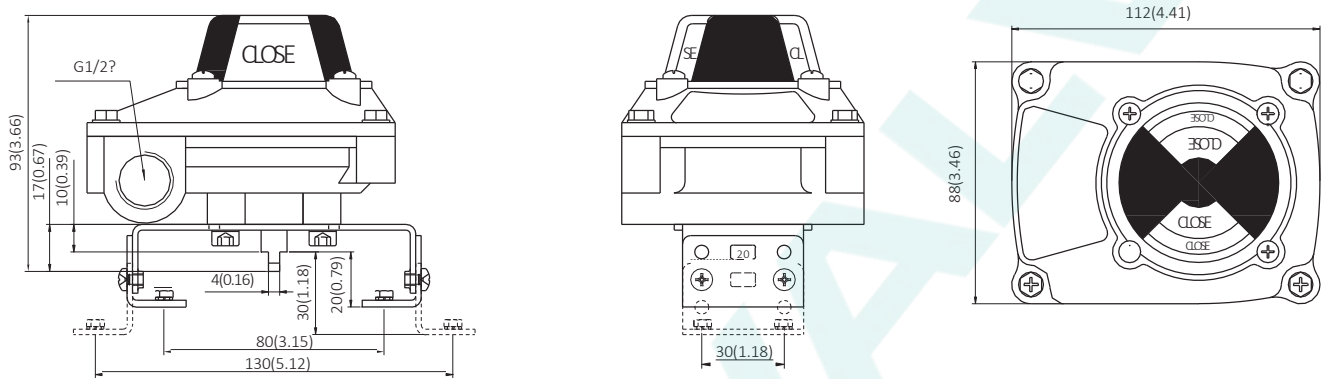
Mechanical Switches Wiring Diagram

2SPDT Mechanical Switches Wiring

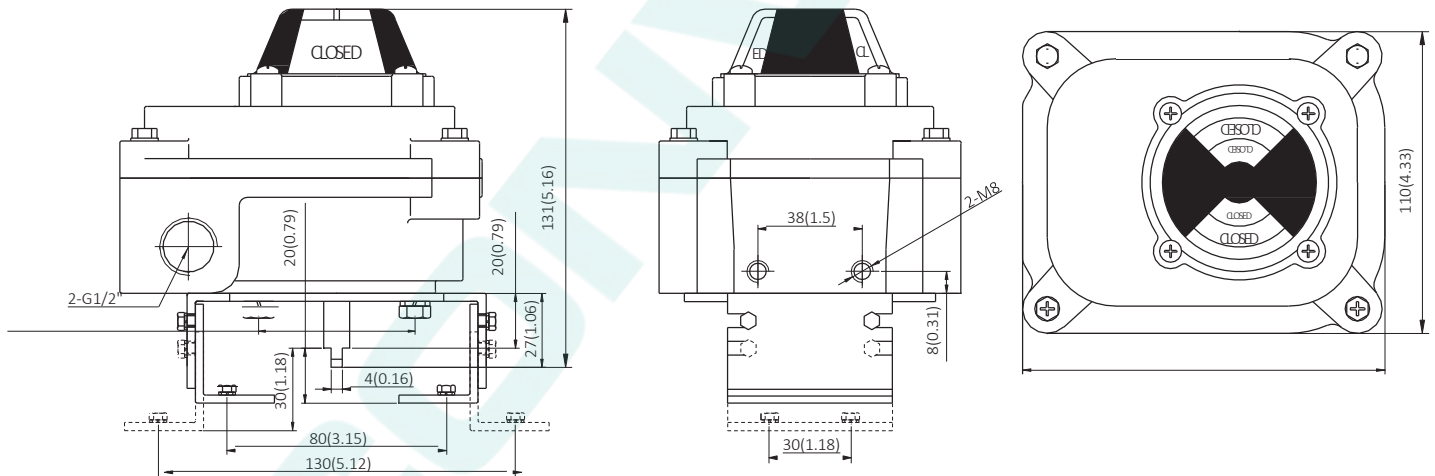


Dimensions: (mm)

VM200



VM300



VM400

