

### 用途

电磁脉冲阀（亦称隔膜阀）是脉冲袋式除尘器清灰喷吹系统的压缩空气“开关”。受脉冲喷吹控制仪输出信号的控制，对滤袋逐排（室）喷吹清灰，使除尘器的阻力保持在设定的范围之内，以保证除尘器的处理能力和收尘效率。

EMCF型，电磁脉冲阀直角式阀，其进出口之间夹角为90°，适合于气包于除尘器喷灰管的安装连接，气流畅通，能提供符合要求的清灰气脉冲。

EMCYF型电磁脉冲阀为淹没式阀，（亦称嵌入式阀），它直接安装在气包上，具有更好的流通特性。压力损失有所下降，适合于气源压力较低的工作场合。

### 工作原理

膜片把电磁脉冲阀分成前，后两个气室。当接通压缩空气时，压缩空气通过节流孔进入后气室，此时后气室压力将膜片紧贴阀的输出出口，电磁脉冲阀处于“关闭”状态。

脉冲喷吹控制仪电信号使电磁脉冲阀衔铁移动，后气室放气孔打开，后气室迅速失压。膜片后移，压缩空气通过阀输出出口喷吹。电磁脉冲阀处于“开启”状态。

脉冲喷吹控制仪电信号消失，电磁脉冲阀衔铁复位，后气室放气孔关闭，后气室压力升高使膜片紧贴阀的输出出口，电磁脉冲阀又处于“关闭”状态。

### 安装方法

电磁脉冲阀输入端（IN）与储气筒金属管相连接，其输出端与除尘箱喷吹管连接，连接螺纹见均填四氟乙烯生料带紧固密封。

### Usage

Electro-magnetic valve (also called diaphragm valve) is the "switch" for compressed air in the dust clean blowing system of the pulse bag filter. Controlled by the output signals of the pulse jet control device, it makes dust clean to the filter bags cell by cell to keep the resistance of the baghouse within the set range and thus guarantee the processing functions and the dust-collecting efficiency of the baghouse.

EMCF electro-magnetic pulse valve is a right-angle valve, with the 90° angle between the Inlet and outlet, which is suitable for the installation connection between the gas dome and the baghouse blow tube provide good air flow and satisfactory dust clean pulses.

EMCYF electro-magnetic pulse valve is embedded valve (also called submerged valve) which is directly installed on the header. They have better flow characteristics and operate with reduced pressure loss, therefore, they are suitable for conditions where the pressure of the gas source is relatively low.

### Working Principle

The electro-magnetic pulse diaphragm valve is composed of two gas cells. When the compressed air is connected, it comes into the back gas cell through the orifice. The pressure in the back gas cell pushes the diaphragm closely against the outlet of the valve and the electro-magnetic valve stays in the "closed" condition.

The electrical signals from the pulse jet control device move the armature of the electro-magnetic pulse valve. The air escape of the back gas cell opens and the back gas cell loses pressure quickly, thus the diaphragm moves back and the compressed air blows through the valve outlet. The electro-magnetic pulse valve comes into the "open" condition.

When the electrical signals from the pulse jet control device disappear, the armature of the electro-magnetic pulse valve returns to its original position. The air escape of the back gas cell closes and the pressure in the back gas cell rises, which pushes the diaphragm closely again.

### Installation Method

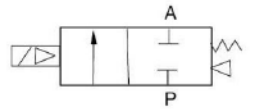
Solenoid pulse valve input (in) is connected to the metal pipe of air storage cylinder, and its output is connected to the blast pipe of dust pocket. Between the connect screw thread is filled with tetrafluoroethylene tape for seal.



EMCF-25



EMCF-50



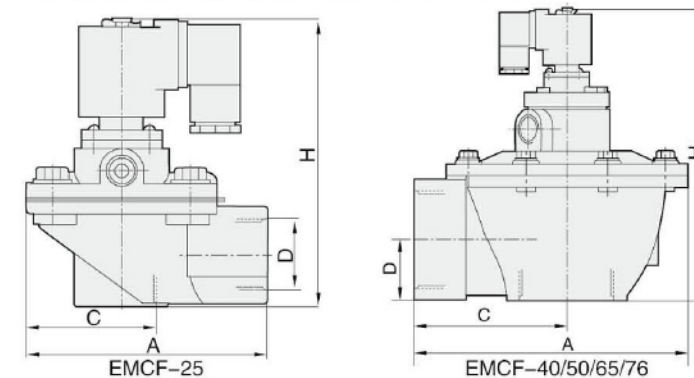
### 订货举例 How to Order?

EMCF	—	25	--	E1	
EMCF 系列 EMCF series		流量口径 Orifice 25: 25mm 40: 40mm 50: 50mm 65: 65mm 76: 76mm		电压 Voltage E1: AC110V E2: AC220V E4: DC24V	* EMCF系列,流量口径 25mm,电压 AC220V, 型号: EMCF-25E2 * EMCF series,Orifice:25mm,Voltage: AC220V, Model: EMCF-25E2

### 产品特性 Product Features

- \* 常闭电磁阀，铝阀体
- \* 专用于除尘
- \* 接管口径有1"到3"
- \* 膜片先导式，工作压力偏低
- \* Normal close, aluminium body
- \* Especially for dusty collection
- \* Bigger size from 1" to 3"
- \* Diaphragm pilot solenoid valve, with lower working pressure

### 外形尺寸图 Main Dimensions (mm)

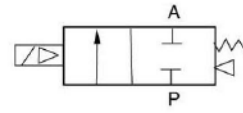


型号 Model	H	A	C	D
EMCF-25	125	110	63	21.5
EMCF-40	170	140	78	32.5
EMCF-50	200	210	112	40
EMCF-65	225	210	115	48
EMCF-76	254	217	117	66

### 规格 Specifications

\* 以下表格中电压为AC220V Voltage: AC220V

型号 Model	EMCF-25E2	EMCF-40E2	EMCF-50E2	EMCF-65E2	EMCF-76E2
工作介质 Working medium	干净空气 Clean air				
动作型式 Acting type	先导式，常闭 / Pilot type, N.C.				
流量口径 Orifice(mm)	φ25	φ40	φ50	φ65	φ76
接管口径 Port size	1"	1-1/2"	2"	2-1/2"	3"
工作压力 Working pressure(Bar)	4-6				
最大耐压力 Guaranteed pressure(Bar)	9				
工作温度 Working temperature(°C)	-10~55				
电压波动范围 Voltage range	-15~10%				
相对湿度 Relative humidity	<85%				
膜片寿命 Diaphragm life	≤1,000,000				
阀体材质 Valve body material	铝 Aluminum				
密封件材质 Seal material	NBR				



### 订货举例 How to Order?

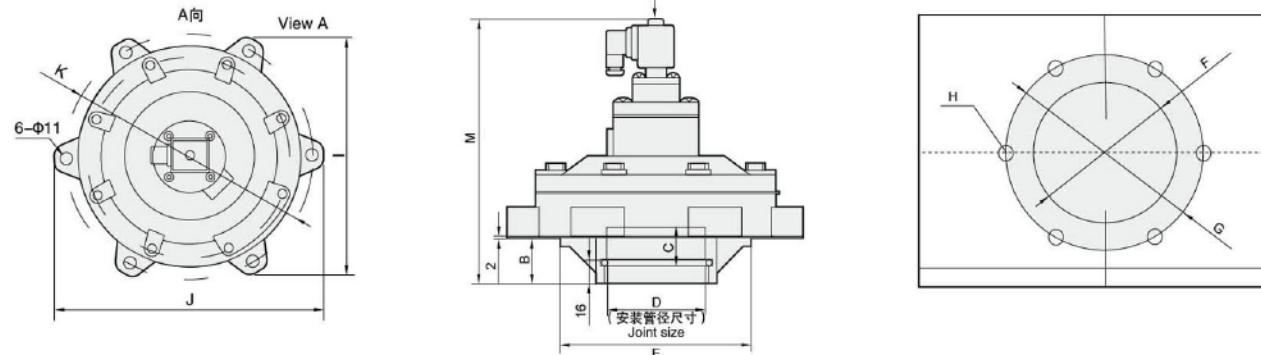
EMCYF	-	50	--	E1
EMCYF 系列 EMCYF series		流量口径 Orifice 50: 50mm 62: 62mm 76: 76mm		电压 Voltage E1: AC110V E2: AC220V E4: DC24V

\* EMCYF系列,流量口径 50mm,电压 AC220V,型号: EMCYF-50E2  
\* EMCYF series,Orifice:50mm,Voltage: AC220V,Model: EMCYF-50E2

### 产品特性 Product Features

- \* 常闭电磁阀, 铝阀体
- \* 专用于除尘
- \* 接管口径有2"到3"
- \* 膜片先导式, 工作压力偏低
- \* Normal close, aluminium body
- \* Especially for dusty collection
- \* Bigger size from 2" to 3"
- \* Diaphragm pilot solenoid valve, with lower working pressure

### 外形尺寸图 Main Dimensions (mm)



型号 Model	M	B	C	D	E	F	G	H	I	J	K
EMCYF-50	188	31	24	Φ60 <sup>+0.44</sup> <sub>-0.22</sub>	Φ118	Φ118	Φ180	6-M10	178	202	Φ180
EMCYF-62	196	35	34	Φ75 <sup>+0.44</sup> <sub>-0.22</sub>	Φ142	Φ142	Φ208	6-M10	202	230	Φ208
EMCYF-76	200	35	44	Φ89 <sup>+0.44</sup> <sub>-0.22</sub>	Φ140	Φ142	Φ226	6-M10	219	249	Φ226

### 规格 Specifications

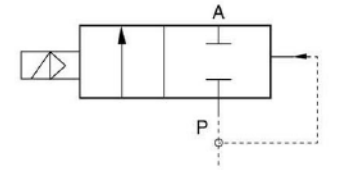
\* 以下表格中电压为AC220V Voltage: AC220V

型号 Model	EMCYF-50E2	EMCYF-62E2	EMCYF-76E2
工作介质 Working medium	干净空气 clean air		
动作型式 Acting type	先导式, 常闭 / Pilot type, N.C.		
流量口径 Orifice(mm)	Φ50	Φ62	Φ76
接管口径 Port size	Φ65	Φ80	Φ99
工作压力 Working pressure(Bar)	2-6		
最大耐压力 Guaranteed pressure(Bar)	9		
工作温度 Working temperature(°C)	-10-55		
电压波动范围 Voltage range	-15 ~ 10%		
相对湿度 Relative humidity	<85%		
膜片寿命 Diaphragm life	≤1,000,000		
阀体材质 Valve body material	铝 Aluminum		
密封件材质 Seal material	NBR		



SLG5404-04

SLG5404-04D



### 订货举例 How to Order?

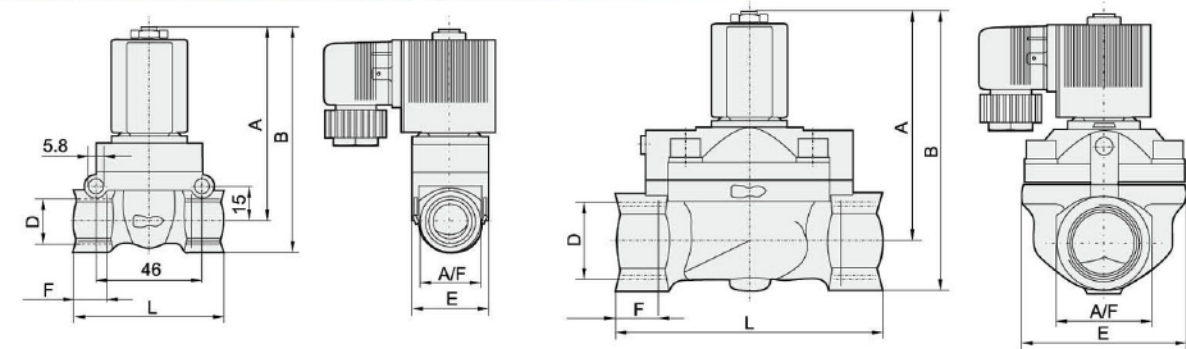
SLG5404	--	15	--	E1	--	
SLG5404 系列 SLG5404 series		接管口径 Port size 15: 1/2" 20: 3/4" 25: 1"		电压 Voltage E1: AC110V E2: AC220V E3: AC380V E4: DC24V E5: DC12V E7: AC24V		空白: 引出线式线圈 D: DIN接线盒式封装线圈 Blank: Flying leads type D: DIN connector

\* SLG5404系列,1/2"接管口径,引出线式线圈,电压 AC220V,型号: SLG5404-15E2  
\* SLG5404 series,1/2" port size, flying leads coil, voltage: AC220V, Model: SLG5404-15E2

### 产品特性 Product Features

- \* 常闭电磁阀, 铜阀体
- \* 高压, PTFE密封件
- \* 活塞先导式, 耐高温高压
- \* Normal close, brass body
- \* High pressure, PTFE seal
- \* Piston pilot solenoid valve with high working pressure and temperature

### 外形尺寸图 Main Dimensions (mm)



型号 Model	流量口径 Orifice(mm)	接管口径 Port size	A	B	F	E	L	A/F
SLG5404-15	12	1/2"	83	95.5	14	32	65	27
SLG5404-20	20	3/4"	99.5	119	16	60	92	40
SLG5404-25	25	1"	99.5	119	16	60	92	40

### 规格 Specifications

\* 以下表格中电压为AC220V Voltage: AC220V

型号 Model	SLG5404-15E2	SLG5404-20E2	SLG5404-25E2
工作介质 Working medium	空气、水、油 / Air, Water, Oil		
动作型式 Acting type	先导式, 常闭 / Pilot type, N.C.		
流量口径 Orifice (mm)	12	20	25
CV值 CV value	2	5	10
接管口径 Port size	1/2"	3/4"	1"
工作压力 Working pressure (Bar)	气体/GAS:1-50, 液体/Liquid:1-50		气体/GAS:1-40, 液体/Liquid:1-25
最大耐压力 Guaranteed pressure(Bar)	75		60
电压波动范围 Voltage range	-15 ~ 10%		
工作温度 Working temperature (°C)	-5~150		
耗电量 Power consumption	AC:5.5VA, DC:9W		
本体材质 Valve body material	黄铜 Brass		
密封件材质 Seal material	聚四氟乙烯 PTFE		