

## DECLUTCH WORM GEAR



CREATIVE • INNOVATION • PROCESS



SKU:1587

## DECLUTCH WORM GEAR

### Description

Declutchable worm gear offers simple and reliable manual positioning of the valves, dampers and other quarter-turn devices when overriding existing pneumatic, electric or hydraulic quarter-turn actuators. All unit are suitable for both indoor and outdoor installation. The modular design is to provide the most efficient and effective solution to a full range of manual overriding requirements.

### Application

Declutchable worm gear are applied to dampers, ball valves, butterfly valves and also other 90° quarter turn valves. Declutchable worm gear operator has variety models of hand wheel for optional.

### Connect with Valve

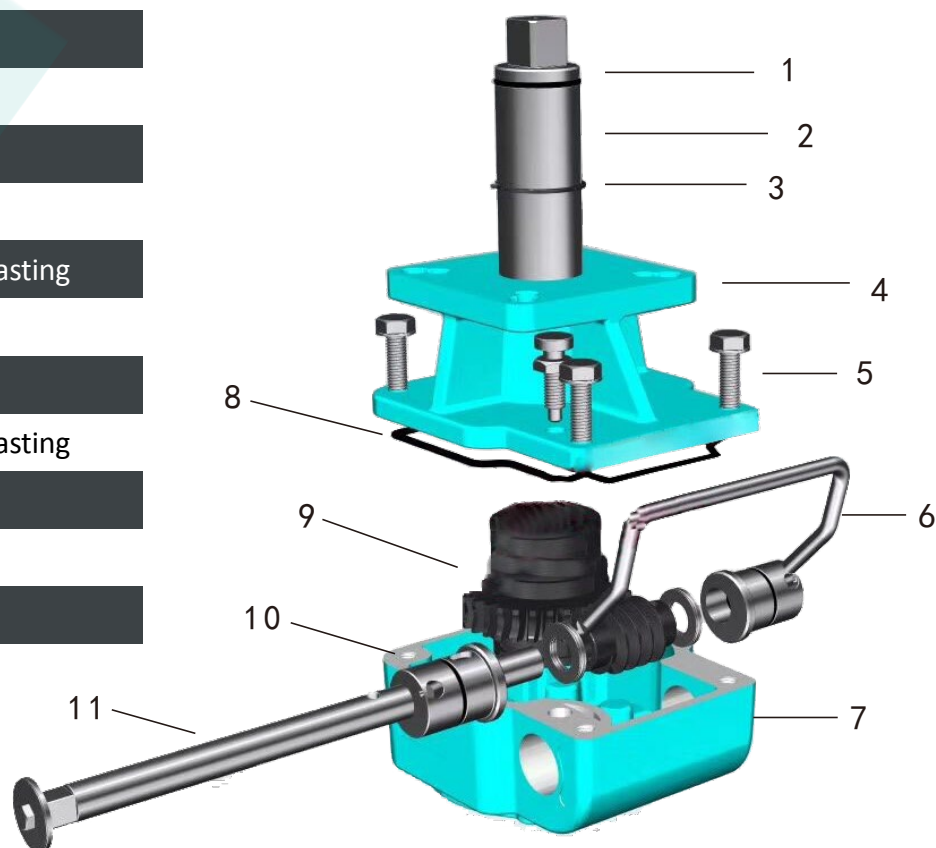
The flange connecting to valve is according to ISO5210 , ISO5211 or DIN3210 (Customization)

### Features

To engage manual operation, first pull out the lock handle and then rotate the clutch lever in anti-clockwise direction until engagement takes place. To return to automatic mode, first pull out the lock handle and then rotate the clutch lever in clockwise

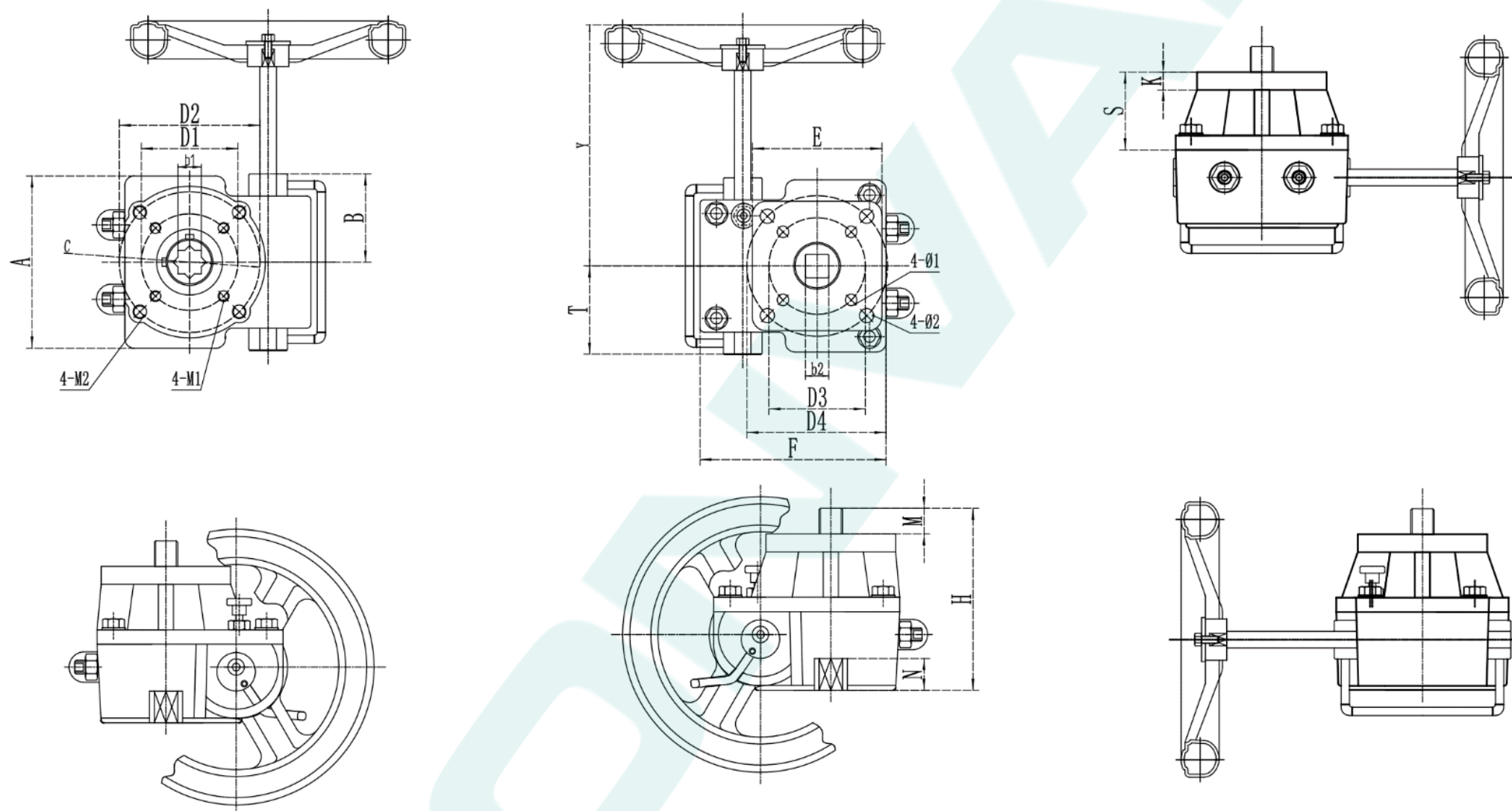
### Material

No.	Name	Material
1	Shaft	45# Steel
2	Seal Ring	EPDM
3	Snap Spring	Spring Steel
4	Upper End Cap	Aluminium Die Casting
5	Screw	304
6	Pull Rod	304
7	Body	Aluminium Die Casting
8	Seal Ring	EPDM
9	Gear	EN-GJS-500
10	Reducing Sleeve	EN-GJS-400
11	Worm	EN-GJS-400



Dimensions:

Model	Pneumatic Actuator Cylinder Diameter Double Acting	Pneumatic Actuator Cylinder Diameter Single Acting
CVDGB-1	PAC052DA—PAC092DA	PAC052SR—PAC092SR
CVDGB-2	PAC092DA—PAC105DA	PAC083SR—PAC105SR
CVDGB-3	PAC125DA—PAC160DA	PAC105SR—PAC125SR
CVDGB-4	PAC190DA—PAC210DA	PAC140SR—PAC160SR
CVDGB-5	PAC240DA	PAC190SR—PAC210SR
CVDGB-6	PAC270DA—HPA300DA	PAC240SR—PAC270SR



**Remark : The bottom center of the CVDGB-4 is either F10/F14 or F10/F12**

New Manual Override	Countershaft				Valve Connection				Actuator Connection				A	B	ΦC	F	T	Y	H	S	K	Ratio	Rated Output	
	b1	N	b2	M	D1	4-M1	D2	4-M2	E	D3	4-Φ1	D4												4-Φ2
CVDGB-1	14	22	14	16	Φ50	4-M6	Φ70	4-M8	70*70	Φ50	4-Φ6.5	Φ70	4-Φ8.5	90	55	Φ88	115	44	145	120	53	10	26:1	250Nm
CVDGB-2	17	22	17	18	Φ70	4-M8	Φ102	4-M10	95*95	Φ70	4-Φ8.5	Φ102	4-Φ10.5	125	64	Φ110	135	62.5	178	133	56.5	13	28:1	450Nm
CVDGB-3	22	28	22	22	Φ102	4-M10	Φ125	4-M12	114*114	Φ102	4-Φ10.5	Φ125	4-Φ12.5	140	71	Φ129	166	70	212	180	68.7	12.5	38:1	700Nm
CVDGB-4	27	32	27	30	Φ102	4-M10	Φ125	4-M12	129*129	Φ125	4-Φ12.5	Φ140	4-Φ16.5	188.5	93	Φ174	202	94	280	195	84	15	54:1	1200Nm
CVDGB-5	36	45	36	38	Φ140	4-M16	/	/	156*156	Φ140	4-Φ17	Φ165	4-Φ21	222	110	Φ205	245	110	315	225	92	15	80:1	2000Nm
CVDGB-6	46	50	46	48	Φ165	4-M20	/	/	160*160	Φ165	4-Φ22	/	/	252	120	Φ275	280	125	320	252	102	15	78:1	3000Nm