

## Pulse Valves - PL1010 Series (G3/4", G1")

### GENERAL FEATURES

- The pulse valves are especially used for dust collector service application or similar systems.
- Compact design, high reliability, flow rate, quality and performance; long life.
- Extremely fast opening and closing
- Working Temperature: -20°C ... 80°C
- On request; with electronic timer
- Some application; dust filters, bunkers, dust extractors, electrostatic painting cabinets.
- Coils interchangeable
- Pulse valves must be used with filtered fluids.

### ELECTRICAL CHARACTERISTICS

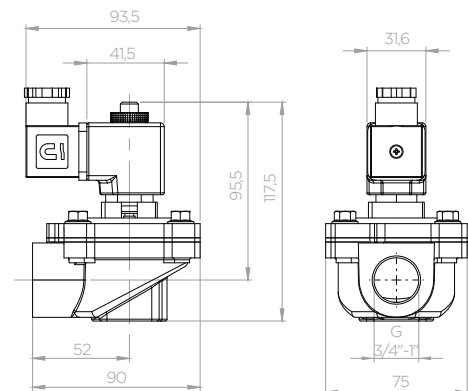
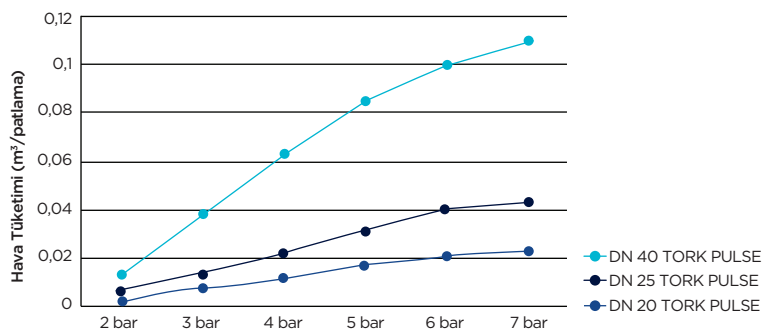
Continuous Duty	: ED %100
Coil Insulation Class	: H (180°C)
Coil Impregnation	: Polyester Fiber Glass
Ambient Temperature	: -20°C ... 80°C
Protection Degree	: IP65 (ISO 60529) (with coil duly fitted with the plug connector)
Electric Plug Connection	: DIN 46340 3-Poles Connector (DIN43650)
Connector Specification	: ISO 4400 / EN 175301-803 Form A, Spade Plug (Cable Ø6-8 mm)
Electrical Safety	: IEC 335
Standard Voltages	: AC 12 V, 24V, 48 V, 110V, 230 V DC 12 V, 24V, 48 V, 110V

On request other voltages  
 Voltages Tolerance : ± % 10  
 Frequency : 50 / 60 Hz On request; LED connectors  
 Please, specify coil voltage with order.

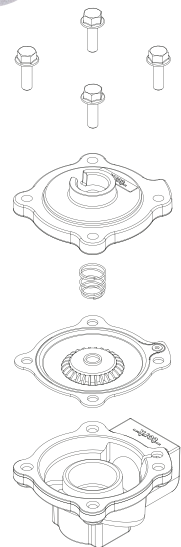
### MATERIALS IN CONTACT WITH FLUIDS

Body	: Aluminium
Internal Parts	: Stainless Steel
Sealing	: Thermoplastic
Shading Ring	: Copper
Seats	: Aluminium
Core, Tube	: Stainless Steel
Spring	: Stainless Steel
Response Time	: Opening Time : 100 ms Closing Time : 100 ms

G1" Pulse valve air consumption example  
 Pressure: 6 Bar; 50 cycle/hr  
 G1" Pulse valve air consumption at 6 bar can be seen as 0,43 m3/sn from the table.  
 For 50 cycle/hr, total air consumption is 0,043 x 50: 2,15 m3/h



**NORMALLY CLOSED**  
**2/2 WAY**  
**PILOT OPERATED**



Valve Order No	Connection Size	Orifice Size	Pressure		Fluid Temperature		Seal	Weight
			min	max	min	max		
PL 1010	G	mm	bar	bar	°C			(kg)
PL1010.04 - P	3/4"	25	0.5	8	-20	80	Thermoplastic	0.69
PL1010.05 - P	1"	25	0.5	8	-20	80	Thermoplastic	0.68

• TORK Pulse Valves comply with 97/23 / EC, Pressure Equipment Directive (PED) and Low Voltage Directive 2006/95 / EEC.  
 • Standard pipe connection GIBSP (ISO 228-1) is available on request. Other pipe connections can also be made on request. ((NPT) ANSI 1, 20, 31)



Pulse Valves - PL1010 Series (G1 1/2", 2", 2 1/2", 3")

