

订货举例 How to Order?

<b>HUS</b>	--	<b>10</b>	--	<b>T</b>	--	<b>E2</b>	--	<b>15L</b>	--	<b>S2</b>
HUS不锈钢系列 HUS SS series		接管口径 Port size 10: 3/8" 15: 1/2" 20: 3/4" 25: 1" 35: 1-1/4" 40: 1-1/2" 50: 2" F: 法兰连接 Flange		密封材料 T: Teflon 聚四氟乙稀 Seal material T: Teflon		电压 Voltage E1: AC110V E2: AC220V E4: DC24V		流量孔径 Orifice(mm) 15L= 15.0 20L= 20.0 25L= 25.0 32L= 32.0 35L= 35.0 40L= 40.0 50L= 50.0		阀体材质 S2: SS304 Valve body S2: SS304

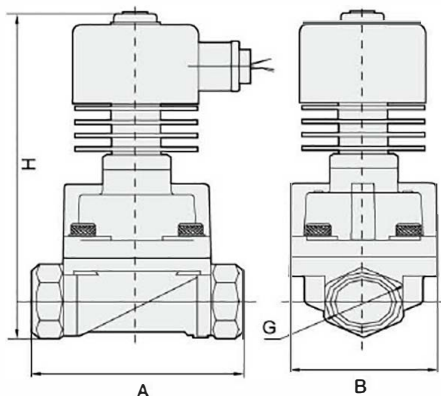
如孔径与口径一致，型号中流量标识省略  
Cancel if same with port size

\* HUS不锈钢系列,二位三通,接管口径3/8",聚四氟乙稀密封件, AC110V,流量孔径 15mm,不锈钢阀体304,常闭,型号:HUS10TE1-15LS2  
 \* HUS SS series, 2 port, 2 position, 3/8" port size, teflon seal, AC110V, orifice: 15mm, stainless steel 304 valve body, normal close, model: HUS10TE1-15LS2

产品特性 Product Features

- \* 两位两通常闭型电磁阀,不锈钢304阀体
- \* 接管口径从3/8"到2"
- \* 有螺纹连接和法兰连接可供选择
- \* 活塞先导式电磁阀,耐高温高压
- \* Normal close, SS304 body
- \* Sizes range from 3/8" to 2"
- \* Available both thread and flange connection
- \* Piston pilot solenoid valve with high working pressure and temperature

外形尺寸图 Main Dimensions (mm)



规格 Specifications

接管口径 (G) Port size	流量 口径 Orifice (mm)	CV值 CV value	压力差 Pressure difference (Bar)			最大允许温度 (Max. temperature (°C))	订货型号 Model 220VAC 50/60HZ	外形尺寸 Main dimension 长x宽x高 Length x Width x Height AxBxH(mm)
			最小压力 Min. pressure	最大工作压力 Max. working pressure	导热油 Oil			
3/8"	15	4.5	0.5	16	16	250	HUS10TE2-15LS2	75 x 52 x 159
1/2"	15	4.5	0.5	16	16	250	HUS-15TE2S2	75 x 52 x 159
3/4"	20	8.0	0.5	16	16	250	HUS-20TE2S2	85 x 60 x 171
1"	25	12	0.5	16	16	250	HUS-25TE2S2	100 x 70 x 178
1-1/4"	35	22	0.5	16	16	250	HUS-35TE2S2	120 x 90 x 198
1-1/2"	35	22	0.5	16	16	250	HUS40TE2-35LS2	120 x 90 x 198
2"	50	45	0.5	16	16	250	HUS-50TE2S2	150 x 110 x 220
Flange 4 Port 法兰4孔	25	12	0.5	16	16	250	HUSFTE2-25LS2	134 x 110 x 215
	32	22	0.5	16	16	250	HUSFTE2-32LS2	160 x 135 x 230
	40	22	0.5	16	16	250	HUSFTE2-40LS2	160 x 145 x 235
	50	45	0.5	16	16	250	HUSFTE2-50LS2	200 x 155 x 250