

UW

订货举例 How to Order?

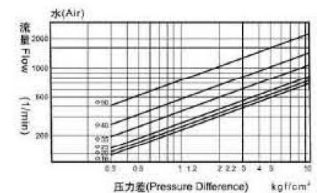
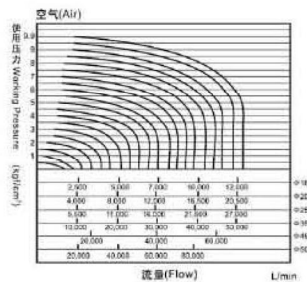
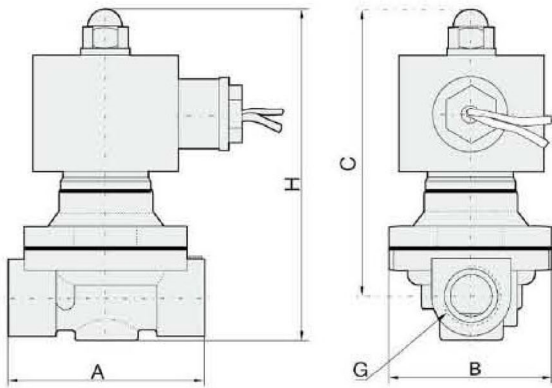
UW	-	10	-		-	E1
UW 系列 UW series	接管口径 Port size	10: 3/8" 15: 1/2" 20: 3/4" 25: 1" 35: 1-1/4" 40: 1-1/2" 50: 2"	密封材料 空白: 丁腈橡胶 V: 氟橡胶 E: 乙丙橡胶 Seal material Blank: NBR V: VITON E: EPDM	电压 Voltage E1: AC110V E2: AC220V E3: AC380V E4: DC24V E5: DC12V E6: AC36V E7: AC24V		

* UW系列, 二位二通, 1/2"接管口径, 丁腈橡胶密封件, AC220V, 型号: UW-15E2
 * UW series, 2 port, 2 position, 1/2" port size, NBR seal, AC220V, model: UW-15E2

产品特性 Product Features

- * 常闭电磁阀, 铜阀体
- * 有多种密封件可供选择, 以适合不同的介质
- * 接管口径从1/8"到2"
- * 与ZS系列阀可以更换阀体, 但是成本更低
- * 膜片先导式电磁阀, 耐压偏低
- * Normal close, brass body
- * Multiple seals are available for different medium
- * Wide size range from 1/8" to 2"
- * Valve body exchangeable with ZS series valve but with lower cost
- * Diaphragm pilot solenoid valve, with lower working pressure

外形尺寸图 Main Dimensions (mm)



型号 Model	A	B	C	H	G
UW-10	67	55	100	113	3/8"
UW-15	67	57	101.5	115	1/2"
UW-20	69	57	103	120	3/4"
UW-25	98	73.5	109.5	129	1"
UW-35	126.5	91.5	138	164	1-1/4"
UW-40	126.5	91.5	141	170	1-1/2"
UW-50	164	123	152.5	188	2"

规格 Specifications

* 以下表格中电压为AC220V Voltage: AC220V

型号 Model	UW-10E2	UW-15E2	UW-20E2	UW-25E2	UW-35E2	UW-40E2	UW-50E2
工作介质 Working medium	空气、水、油、瓦斯 Air, Water, Oil, Gas						
动作型式 Acting type	直动式, 常闭 Direct acting type, N.C.						
流量孔径 Orifice(mm)	16	16	20	25	35	40	50
Cv值 Cv value	4.8	4.8	7.6	12	24	29	48
接管口径 Port size	3/8"	1/2"	3/4"	1"	1-1/4"	1-1/2"	2"
使用流体粘度度 Fluid viscosity	20 CST 以下 (Below 20 CST)						
工作压力 Working pressure(Bar)	水 Water: 0-5, 空气 Air: 0-7, 油 Oil: 0-5, 瓦斯 Gas: 0-7						
最大耐压力 Guaranteed pressure(Bar)	11						
工作温度 Working temperature (°C)	-5-80						
电压波动范围 Voltage range	-15 ~ 10%						
阀体材质 Valve body material	黄铜 Brass						
密封件材质 Seal material	NBR, VITON (可选 optional)						