



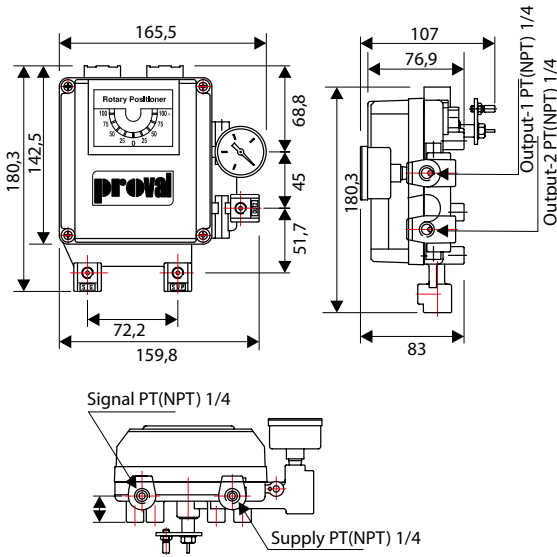
A230 Series Electro-Pneumatic Positioners

E/P Positioners are working with DC 4-20 mA or 0-10 Volt input signal and generate modulating control on rotary or linear valves.

A230 PRE positioners can be applied on both double acting and single acting actuators.

A230 PRP Pneumatic Positioners (P/P): Pneumatic positioners are working with 3-15 PSI air signal and can be applied both on double and single acting actuators.

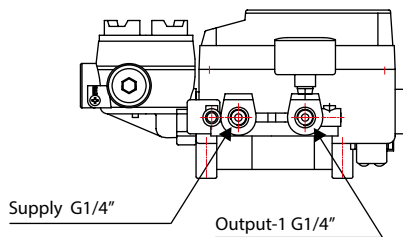
Dimensions(mm)



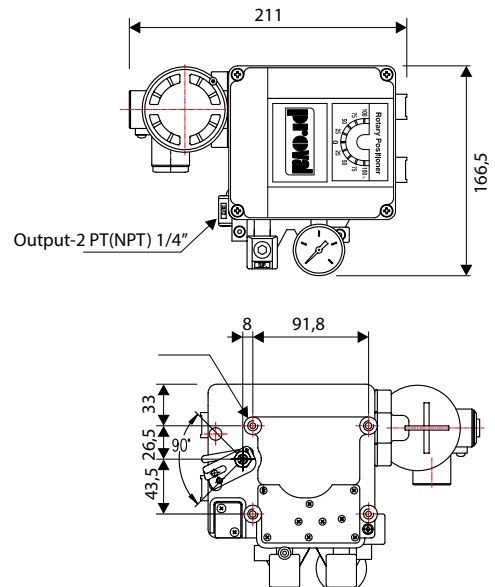
A230 PRP

Description	Proval Brand, A230 Series Pneumatic Positioners
Type	Rotary Type (90° Part Turn)
Body Material	Powder Epoxy Coated Aluminium Die Casting
Input Signal	DC 4/20 mA
Output Signal	Optionally DC 4/20 mA or 0-1 kOhm
Protection Class	IP67
Air Consumption	3 Lt/min
Working Temp.	-20° C / +70° C
Flow Capacity	80 Lt/min

A230 PRE Electro-Pneumatic Positioners (E/P): E/P Positioners are working with DC 4-20 mA or 0-10 Volt input signal and generate modulating control on rotary or linear valves. A230 PRE positioners can be applied on both double acting and single acting actuators.



Dimensions(mm)



Description	Proval Brand, A230 Series Pneumatic Positioners
Type	Rotary Type (90° Part Turn)
Body Material	Powder Epoxy Coated Aluminum Die Casting
Input Signal	DC 4/20 mA
Output Signal	Optionally DC 4/20 mA or 0-1 kOhm
Protection Class	IP67
Air Consumption	3 lt/min
Working Temp.	-20° C / +70° C
Flow Capacity	80 lt/min