

## A250 Limit Switch Boxes

PROVAL A250 Series limit switch boxes are used on rotary valve actuators to generate open/close signal and monitor the valve position.

### General Features,

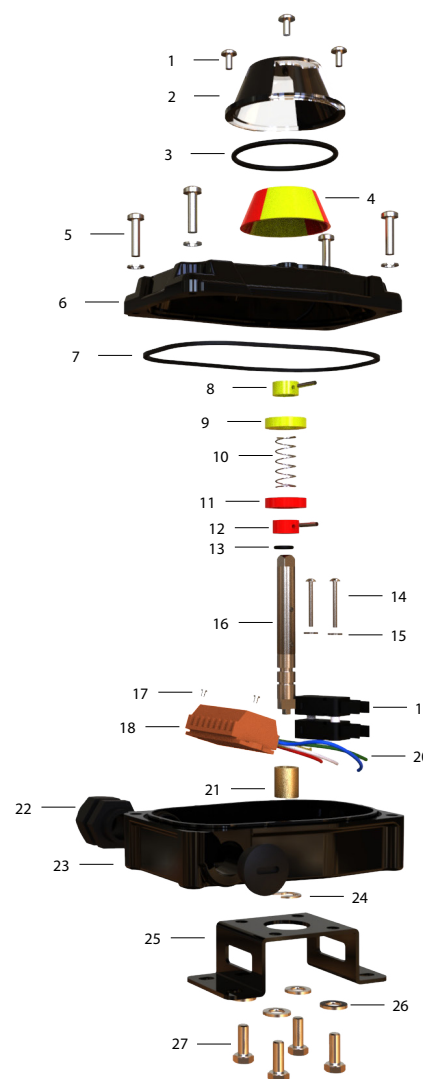
- 3D continuous visual position indicator
- Easily adjustable spring forced CAM system
- Standard IP67 enclosure
- 2 pcs Open/Close mechanical or proximity switches
- Easily adjustable brackets and suitable for all NAMUR VDI/VDE interface actuators
- Terminal strip with 8 points angled to allow for easy wiring and direct connection of solenoid valve inside the switch box.



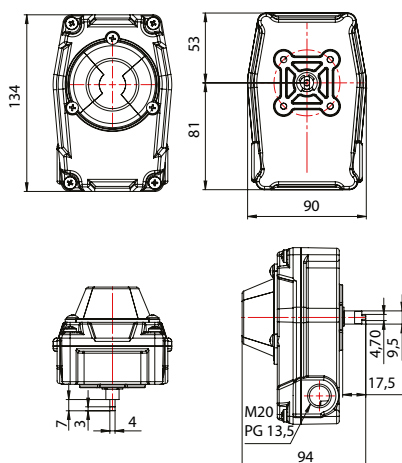
A250 PSM-PSP  
Standard Switch Boxes

No	Part Name	Material	Qty
1	Screw	AISI304	3
2	Cover	ABS	1
3	Body Seal Ring	NBR	1
4	O/C Indicator	ABS	1
5	Cap Screw	AISI304	4
6	Cap	Alu Die Cast	1
7	Body Seal Ring	NBR	1
8	Cam	PA66	1
9	Cam	PA66	1
10	Spring	AISI304	1
11	Close Cam	PA66	1
12	Close Cam Fixing	PA66	1
13	O-Ring	NBR	1

No	Part Name	Material	Qty
14	Switch Screw	AISI304	2
15	Switch Screw Washer	AISI304	2
16	Pinion	AISI304	1
17	Terminal Block Screw	AISI304	2
18	Terminal Block	PA66	1
19	Limit Switch	Plastic	2
20	Cable Set	Copper & Plastic	1
21	Bushing	Bronz	1
22	Bling Plug	Polyamid	1
23	Body	Alu Die Cast	1
24	Circlip	AISI304	1
25	Bracket	Epoxy Coated Bracket	1
26	Washer	AISI304	4
27	Screw	AISI304	4



### Dimensions(mm)



Model	Switch Brand	Switch Type
A250 PSM-1	Zippy	Micro
A250 PSM-2	Crouzet	EF83161.3
A250 PSP-1	P+F	NBB2-V3-E2
A250 PSP-2	P+F	NJ2-V3-N
A250 PSP-3	P+F	SJ3,5-N
A250 PSP-4	IFM	ISS076
A250 PSP-5	P+F	NBB3-V3-Z4

### Bracket Dimensions

Model	Bracket Type	Mounting Dimension
MB-1		30x80 H: 20
MB-2		30x80 - 30x130 H: 20-30 Adjustable
MB-3		30x80 - 30x130 H: 40-50 Adjustable

