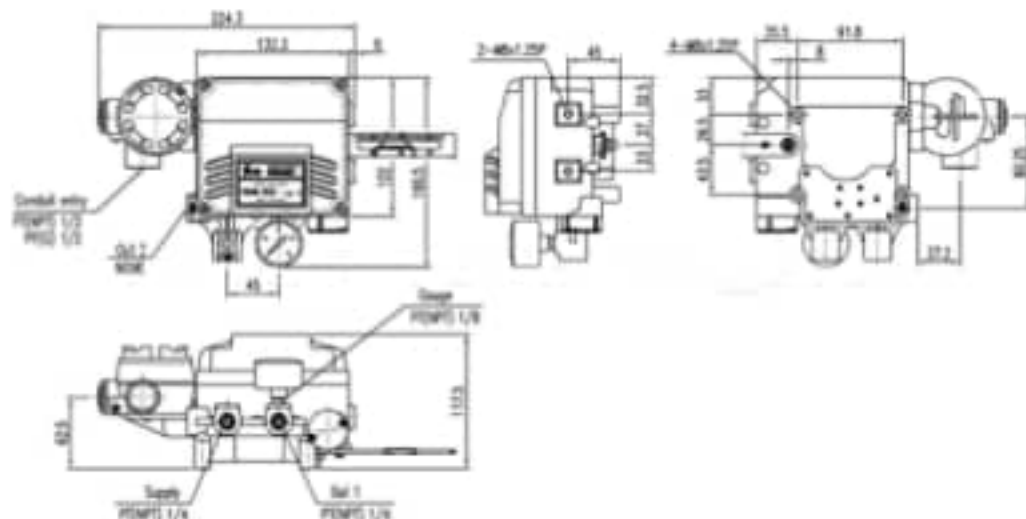
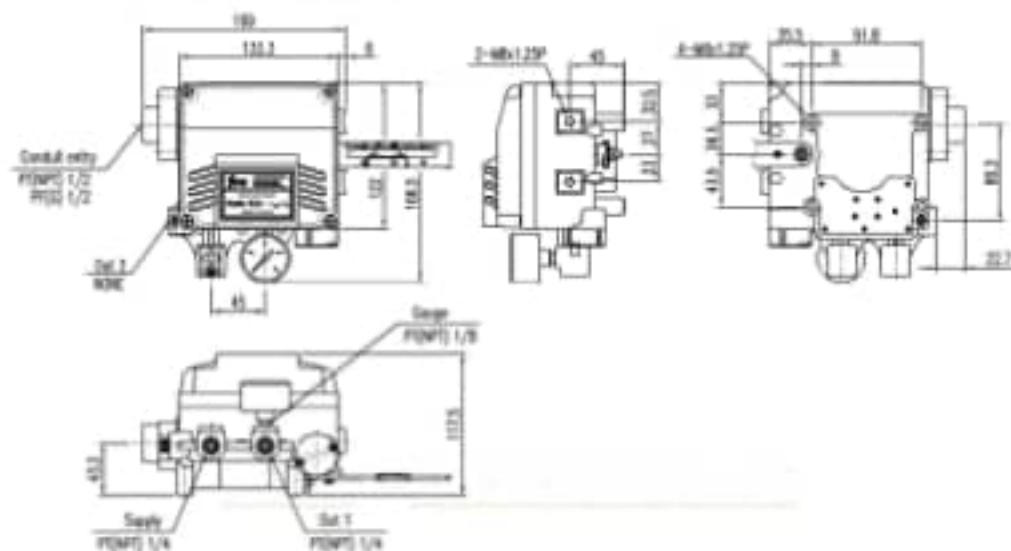


Product Dimension

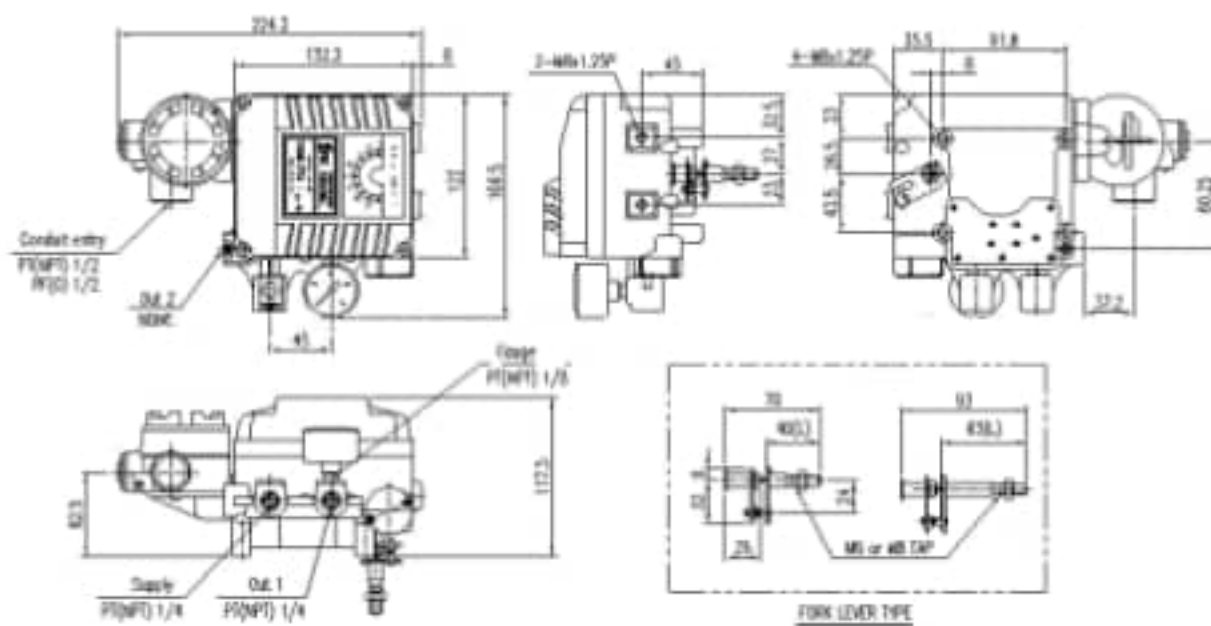
NOG-1000L Flameproof Type



NOG-1000L Intrinsically Safety Type



NOG-1000R Flameproof Type



Product Specification
NOG -1000L & R

Model	NOG -1000L		NOG -1000R	
	Single	Double	Single	Double
Acting Type	Single	Double	Single	Double
Input Signal	4~20mA DC			
Impedance	250 +/- 15 Ω			
Supply Pressure	0.14~0.7 MPa (1.4~7 bar)			
Stroke	10~150 mm		0~90°	
Air Connection	PT, NPT 1/4			
Gauge Connection	PT, NPT 1/8			
Conduit Entry	PF(G) 1/2			
Protection Grade	IP66			
Explosion Proof	Ex dmb IIB T5 (ATEX) Ex dmb IIC T5 (KTL) Ex ia IIB T6 (KTL) Ex dm IIB T5 (FM) Ex ia IIC T6 (NEPSI) Ex dmb IIC T5/T6 (NEPSI)			
Ambient Temperature	Operating Temp. : -20~70°C (Standard) Explosion Proof Temp. : -40~60°C			
Linearity	±1.0% F.S.	±2.0% F.S.	±1.0% F.S.	±2.0% F.S.
Hysteresis	±1.0% F.S.			
Sensitivity	±0.2% F.S.	±0.5% F.S.	±0.2% F.S.	±0.5% F.S.
Repeatability	±0.5% F.S.			
Flow Capacity	80 LPM (Sup.=0.14 MPa)			
Air Consumption	2.5 LPM (Sup.=0.14 MPa @ idle)			
Feedback Signal (Option)	4~20mA (DC 10~30V)			
Material	Aluminum Diecasting			
Weight	2.7 kg		3.5 kg	
Painting	Epoxy Polyestere Powder Coating			

Tested under ambient temperature of 20°C, absolute pressure of 760mmHg, and humidity of 65%.