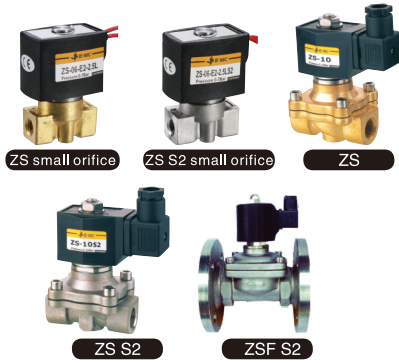
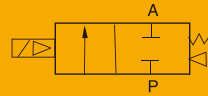


# ZS Series 2/2 Solenoid Valve(Normal Close)



## ZS

2/2 Solenoid Valve ( N.C. )



### Product Features

- \* Normal close/Normal open, available body: brass, SS304, SS316
- \* Multiple seals are available for different medium
- \* To reduce the power consumption of 80% energy-saving
- \* Wide size range from 1/8" to 2", with both thread and flange connection
- \* Diaphragm pilot solenoid valve, with lower working pressure (10mm is special)

### How to Order?

Series No.	Port size	Original status	Orifice	ID Code	Voltage	Valve body material	Seal material	Thread type
ZS: Thread connection ZSF: Flange connection		Blank: NC H: NO		Blank: Standard type N: Low power type		Blank: Brass S1: SS316 S2: SS304	Blank: NBR E: EPDM V: VITON Si: Silicon ( smaller than $\Phi 25\text{mm}$ is optional )	Blank: G P: PT T: NPT
	06: 1/8"		025: 2.5mm		E1: AC110V E6: AC36V			
	08: 1/4"		025: 2.5mm 100: 10mm		E2: AC220V E7: AC24V			
	10: 3/8"		040: 4mm 160: 16mm		E3: AC380V E8: DC110V			
			100: 10mm		E4: DC24V E9: DC48V			
	15: 1/2"		100: 10mm 160: 16mm		E5: DC12V E10: DC36V			
	20: 3/4"		200: 20mm					
	25: 1"		250: 25mm					
	32: 1-1/4"		350: 35mm					
	40: 1-1/2"		400: 40mm					
	50: 2"		500: 50mm					
	Flange connection		250: 25mm 650: 65mm					
			320: 32mm 800: 80mm					
			400: 40mm 1000: 100mm					
			500: 50mm					

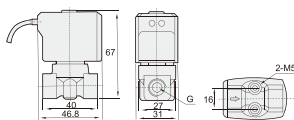
( Note: cancel if same with port size )

### Order Example:

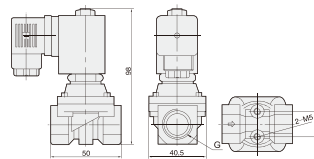
ZS series solenoid valve, 1/2" port size, NC, 16mm orifice, standard type, AC110V, Brass valve body, NBR seal, G thread, ERP code is: ZS15-160E1  
Note: 2.5mm small orifice valve only with flying leads coil, other orifice with DIN connector coil.

### Main Dimension

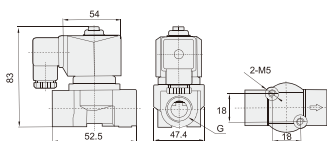
$\Phi 2.5\text{mm}$  1/8" 1/4"



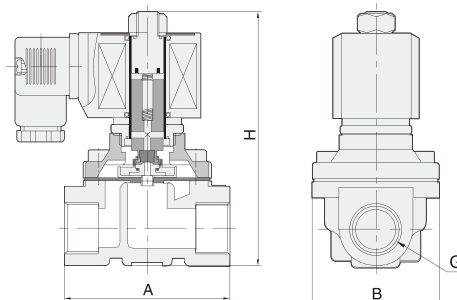
10mm, 1/4", 3/8", 1/2"



$\Phi 4\text{mm}$  3/8"



Large diameter



# ZS Series 2/2 Solenoid Valve(Normal Close)



## Specifications

Port size (G)	Orifice (mm)	CV value	Min. pressure	Pressure difference ( Bar )								Max. temperature (°C)	Power		Order code 220VAC		Main dimension Length x Width x Height A x B x H(mm)
				Max. working pressure									AC 220	DC 24V	Brass	Stainless steel 304	
				Air, Gas		Hot water, Liquid		Light oil ≤20CST		80	120						
1/8 "	2.5	0.23	0	7	5	7	5	7	5			80	13	8.5	ZS06-025E2	ZS06-025E2S2	46.8 x 31 x 67
	2.5	0.23	0	7	5	7	5	-	-	120	13	8.5	ZS06-025E2E	ZS06-025E2S2E	46.8 x 31 x 67		
	2.5	0.23	0	7	5	7	5	7	5	120	13	8.5	ZS06-025E2V	ZS06-025E2S2V	46.8 x 31 x 67		
1/4 "	2.5	0.23	0	7	5	7	5	7	5	80	13	8.5	ZS08-025E2	ZS08-025E2S2	46.8 x 31 x 67		
	2.5	0.23	0	7	5	7	5	-	-	120	13	8.5	ZS08-025E2E	ZS08-025E2S2E	46.8 x 31 x 67		
	2.5	0.23	0	7	5	7	5	7	5	120	13	8.5	ZS08-025E2V	ZS08-025E2S2V	46.8 x 31 x 67		
	10	1	0	20	16	20	16	20	16	80	22	13	ZS08-100E2	-	50 x 40.5 x 98		
	10	1	0	20	16	20	16	-	-	120	22	13	ZS08-100E2E	-	50 x 40.5 x 98		
3/8 "	4	0.6	0	8	5	8	5	5	5	80	33	20	ZS10-040E2	ZS10-040E2S2	52.5 x 47.5 x 83		
	4	0.6	0	8	5	8	5	-	-	120	33	20	ZS10-040E2E	ZS10-040E2S2E	52.5 x 47.5 x 83		
	4	0.6	0	8	5	8	5	5	5	120	33	20	ZS10-040E2V	ZS10-040E2S2V	52.5 x 47.5 x 83		
	10	1.8	0	20	16	20	16	20	16	80	22	13	ZS10E2	-	50 x 40.5 x 98		
	10	1.8	0	20	16	20	16	-	-	120	22	13	ZS10E2E	-	50 x 40.5 x 98		
	10	1.8	0	20	16	20	16	20	16	120	22	13	ZS10E2V	-	50 x 40.5 x 98		
	16	4.8	0	10	6	10	6	7	4	80	33	20	ZS10-160E2	ZS10-160E2S2	69 x 75 x 106		
	16	4.8	0	10	6	10	6	-	-	120	33	20	ZS10-160E2E	ZS10-160E2S2E	69 x 75 x 106		
1/2 "	10	1.9	0	20	16	20	16	20	16	80	22	13	ZS15-100E2	-	69 x 75 x 106		
	10	1.9	0	20	16	20	16	-	-	130	22	13	ZS15-100E2E	-	69 x 75 x 106		
	10	1.9	0	20	16	20	16	20	16	120	22	13	ZS15-100E2V	-	69 x 75 x 106		
	16	4.8	0	10	6	10	6	7	4	80	33	20	ZS15-160E2	ZS15-160E2S2	69 x 75 x 106		
	16	4.8	0	10	6	10	6	-	-	130	33	20	ZS15-160E2E	ZS15-160E2S2E	69 x 75 x 106		
3/4 "	20	7.6	0	10	6	10	6	7	4	80	33	20	ZS20E2	ZS20E2S2	73 x 57 x 114		
	20	7.6	0	10	6	10	6	-	-	130	33	20	ZS20E2E	ZS20E2S2E	73 x 57 x 114		
	20	7.6	0	10	6	10	6	7	4	120	33	20	ZS20E2V	ZS20E2S2V	73 x 57 x 114		
1 "	25	12	0	10	6	10	6	7	4	80	33	20	ZS25E2	ZS25E2S2	99 x 77 x 121		
	25	12	0	10	6	10	6	-	-	120	33	20	ZS25E2E	ZS25E2S2E	99 x 77 x 121		
	25	12	0	10	6	10	6	7	4	120	33	20	ZS25E2V	ZS25E2S2V	99 x 77 x 121		
	25	12	0	10	6	3	3	-	-	120	33	20	ZS25E2G	ZS25E2S2G	99 x 77 x 121		
1-1/4 "	35	24	0	10	6	10	6	7	4	80	70	40	ZS32-350E2	ZS32-350E2S2	112 x 86.5 x 150		
	35	24	0	10	6	10	-	-	-	120	70	40	ZS32-350E2E	ZS32-350E2S2E	112 x 86.5 x 150		
	35	24	0	10	6	10	6	7	4	120	70	40	ZS32-350E2V	ZS32-350E2S2V	112 x 86.5 x 150		
1-1/2 "	40	29	0	10	6	10	6	7	4	80	70	40	ZS40E2	ZS40E2S2	123 x 94 x 160		
	40	29	0	10	6	10	-	-	-	120	70	40	ZS40E2E	ZS40E2S2E	123 x 94 x 160		
	40	29	0	10	6	10	6	7	7	120	70	40	ZS40E2V	ZS40E2S2V	123 x 94 x 160		
2 "	50	48	0	10	6	10	6	7	4	80	70	40	ZS50E2	ZS50E2S2	168 x 123 x 183		
	50	48	0	10	6	10	-	-	-	120	70	40	ZS50E2E	ZS50E2S2E	168 x 123 x 183		
	50	48	0	10	6	10	6	7	4	120	70	40	ZS50E2V	ZS50E2S2V	168 x 123 x 183		
Flange 4 hole	25	12	0	10	6	10	6	7	4	80	70	40	-	ZSF25E2S2	140 x 115 x 160		
	25	12	0	10	6	10	-	-	-	130	70	40	-	ZSF25E2S2E	140 x 115 x 160		
	25	12	0	10	6	10	6	7	4	120	70	40	-	ZSF25E2S2V	140 x 115 x 160		
	32	24	0	10	6	10	6	7	4	80	70	40	-	ZSF32-350E2S2	152 x 135 x 215		
	32	24	0	10	6	10	-	-	-	130	70	40	-	ZSF32-350E2S2E	152 x 135 x 215		
	32	24	0	10	6	10	6	7	4	120	70	40	-	ZSF32-350E2S2V	152 x 135 x 215		
	40	29	0	10	6	10	6	7	4	80	70	40	-	ZSF40E2S2	152 x 135 x 215		
	40	29	0	10	6	10	-	-	-	130	70	40	-	ZSF40E2S2E	152 x 135 x 215		
	40	29	0	10	6	10	6	7	4	120	70	40	-	ZSF40E2S2V	152 x 135 x 215		
	50	48	0	10	6	10	6	7	4	80	70	40	-	ZSF50E2S2	195 x 160 x 220		
	50	48	0	10	6	10	6	-	-	130	70	40	-	ZSF50E2S2E	195 x 160 x 220		
	50	48	0	10	6	10	6	7	4	120	70	40	-	ZSF50E2S2V	195 x 160 x 220		
	65	75	0	6	5	6	5	3	2	80	55	64	-	ZSF65E2S2	250 x 185 x 308		
	65	75	0	6	5	6	5	-	-	120	55	64	-	ZSF65E2S2E	250 x 185 x 308		
	65	75	0	6	5	6	5	3	2	120	55	64	-	ZSF65E2S2V	250 x 185 x 308		
	80	90	0	6	5	6	5	3	2	80	55	64	-	ZSF80E2S2	270 x 202 x 320		
	80	90	0	6	5	6	5	-	-	120	55	64	-	ZSF80E2S2E	270 x 202 x 320		
	80	90	0	6	5	6	5	3	2	120	55	64	-	ZSF80E2S2V	270 x 202 x 320		
	100	160	0	6	5	6	5	3	2	80	55	64	-	ZSF100E2S2	342 x 222 x 345		
	100	160	0	6	5	6	5	-	-	120	55	64	-	ZSF100E2S2E	342 x 222 x 345		
100	160	0	6	5	6	5	3	2	120	55	64	-	ZSF100E2S2V	342 x 222 x 345			

2 ZS